
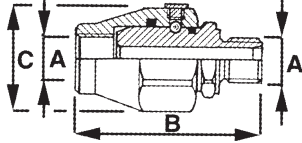

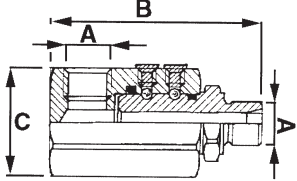


In Line Swivel Coupling - IL-SWI

Safety Factor 1.5 Carbon Steel temp +90°C

		A	B	C	BAR	FLOW RATE	Price	
 <p>IL-SWI Series</p>	<p>INLINE SWIVEL COUPLING</p> 	1/4"	61	33	400	20 M	13.96	
		3/8"	66	37	400	40 M	15.13	
		1/2"	70	42	360	70 M	18.61	
		3/4"	80	49	310	70 M	29.09	
		1"	90	55	280	70 M	41.87	
		1 1/4"					60.00	
		1 1/2"					90.00	
		2"					125.00	
		<p>AISI 316</p>	3/8"					92.00
			1/2"					104.00
3/4"						P.O.A		
1"						P.O.A		

90° Swivel Coupling - 90-SWI

		A	B	C	BAR	FLOW RATE	Price	
 <p>90-SWI Series</p>	<p>90° SWIVEL</p> 	1/4"	69	31	400	20 M	16.61	
		3/8"	78	42	400	40 M	17.72	
		1/2"	86	44	360	70 M	22.15	
		3/4"	100	58	310	70 M	38.77	
		1"	113	60	280	70 M	48.74	
		1 1/4"					95.00	
		1 1/2"					120.00	
		2"					170.00	
		<p>AISI 316</p>	1/2"					P.O.A

ACTUAL SHAPES AND SIZES MAY VARY