
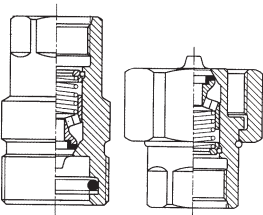


# Screw Couplings - Gromelle Interchange - TGW

TGW SERIES Carbon steel, zinc passivated, BUNA seals Temperature range: -20°C to +125°C	Dash Size	Pipe Thread	W.P. BAR	CARRIER HALF		PROBE HALF			
				CODE	Price	CODE	Price		
	04	1/4"	1000	TGW-C-G14F	11.08	TGW-C-G14M	5.54		
	06	3/8"	750	TGW-C-G38F	12.19	TGW-C-G38M	6.65		
	08	1/2"	700	TGW-C-G12F	13.29	TGW-C-G12M	7.76		
	12	3/4"	600	TGW-C-G34F	31.02	TGW-C-G34M	15.51		
	16	1"	400	TGW-C-G100F	46.52	TGW-C-G100M	22.15		
	20	1 1/4"	350	TGW-C-G114F	94.16	TGW-C-G114M	44.31		
	24	1 1/2"	300	TGW-C-G112F	132.92	TGW-C-G112M	66.46		
	32	2"	250	TGW-C-G200F	P.O.A	TGW-C-G200M	P.O.A		
	<b>316 Stainless steel</b> viton seals Temperature range: -25°C to +200°C	04	1/4"	1000	TGW-X-G14F	98.59	TGW-X-G14M	38.77	
		06	3/8"	750	TGW-X-G38F	98.59	TGW-X-G38M	38.77	
		08	1/2"	700	TGW-X-G12F	116.31	TGW-X-G12M	49.85	
		12	3/4"	600	TGW-X-G34F	144.00	TGW-X-G34M	88.62	
		16	1"	400	TGW-X-G100F	220.00	TGW-X-G100M	130.00	
	<b>DUST CAPS</b> for TGW Series, Carbon steel	INTERTHREAD							
		04	27x1.5	T-DC-14	CAP	3.88	T-DP-14	PLUG	3.88
		06	30x1.5	T-DC-38	CAP	4.98	T-DP-38	PLUG	4.98
08		35x1.5	T-DC-12	CAP	6.10	T-DP-12	PLUG	6.10	
12		45x1.5	T-DC-34	CAP	8.86	T-DP-34	PLUG	8.86	
16		54x1.5	T-DC-100	CAP	13.29	T-DP-100	PLUG	13.29	
20		70x2	T-DC-114	CAP	27.70	T-DP-114	PLUG	27.70	
24		78x2	T-DC-112	CAP	33.23	T-DP-112	PLUG	33.23	
32		92x3	T-DC-200	CAP	P.O.A	T-DP-200	PLUG	P.O.A	
04		27x1.5	TX-DC-14	CAP	16.62	TX-DP-14	PLUG	16.62	
06		30x1.5	TX-DC-38	CAP	16.62	TX-DP-38	PLUG	16.62	
08		35x1.5	TX-DC-12	CAP	18.00	TX-DP-12	PLUG	18.00	
12		45x1.5	TX-DC-34	CAP	22.15	TX-DP-34	PLUG	22.15	
16		54x1.5	TX-DC-100	CAP	25.00	TX-DP-100	PLUG	25.00	

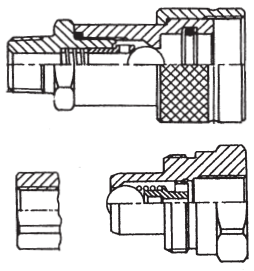
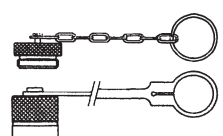
# Screw Couplings - Aeroquip Interchange - VAV

VAV SERIES	Dash Size	DN	Pipe ø	Female Thread	CARRIER HALF		PROBE HALF			
					CODE	Price	CODE	Price		
	08	12	16	M22x1.5	VAV1.1322F	17.72	VAV1.1322M	17.72		
	12	20	25	M30x1.5	VAV1.2530F	29.35	VAV1.2530M	29.35		
<b>DUST CAPS</b>	08	12			SVAV13	CAP	6.10	SVAV13	PLUG	6.10
	12	20			SVAV25	CAP	12.19	SVAV25	PLUG	12.19

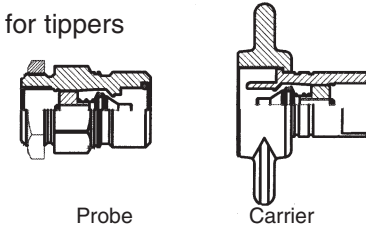

# Screw Couplings - Enerpac Interchange - PVS

Carbon steel, zinc plated, BUNA 700 BAR

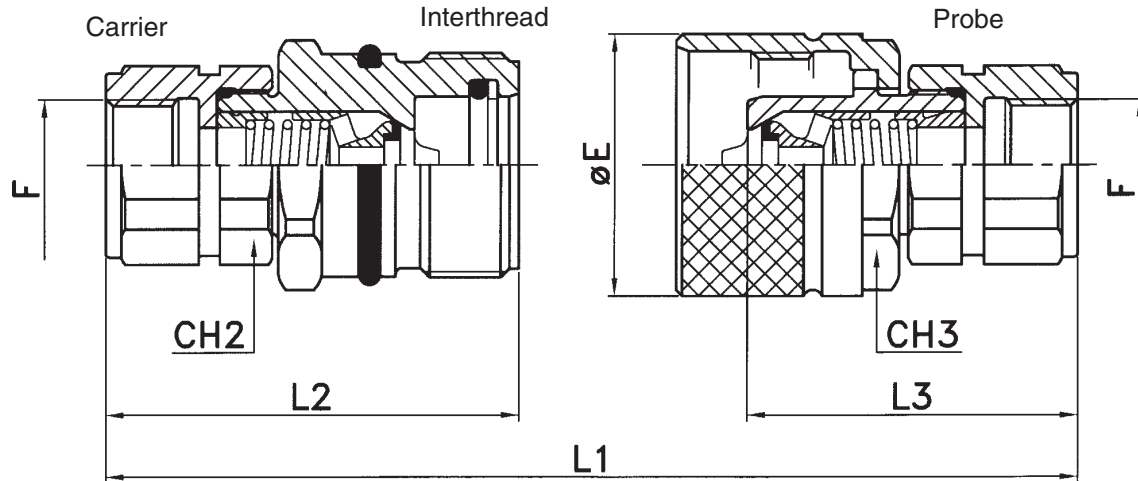
B = Ball Valve C - Poppet Valve 10000 PSI

PVS Series (old TP3) for cylinders	DN	Dash Size	NB	CARRIER HALF		PROBE HALF				
				CODE	Price	CODE	Price			
	06	04	1/4 NPT	PVS3.0606.022	8.31	PVS1.0606.013	5.32			
	10	06	G 1/4	PVS3.0606.212	8.31					
			1/4 NPT	PVS3.1006.022	8.86	PVS1.1006.013	5.32			
				3/8 NPT	PVS3.1010.022	8.86	PVS1.1010.013	5.32		
				G 3/8	PVS3.1010.212	10.55	PVS1.1010.003	6.00		
				R 3/8	PVS3.1010.042	8.86	PVS1.1010.043	6.00		
				R 1/2	PVS3.1013.042	8.86				
				06	04	1/4 NPT	PVS3.0606.012	9.00		
				10	06	G 3/8	PVS3.1010.112	10.55		
			3/8 NPT	PVS3.1010.012	11.08					
PVM Series	06	04	G 1/4	PVM3.1010.022	10.30	PVM1.0606.003	-			
	10	06	1/4 NPT			PVM1.0606.013	-			
			3/8 NPT			PVM1.1010.013	6.10			
<b>Max.W.P. DN06=800 Bar DN10=1000 Bar</b>										
	06	04	PLUG	SPVS.06102C	3.50	SPVS.06103Cap	3.50			
	10	06	PLUG	SPVS.10102C	3.50	SPVS.10103Cap	3.50			
			PLUG	SPVS.10102L	3.50	SPVS.10103Cap	3.50			
	<b>Interthread for PVS/PVM</b> DN06=1-18UNS ANSI B1.1 C=Alu with chain DN10= 3/16"-16UN L=Alu with plastic tongue									

# Screw Type Couplings - For Tippers - VCR

VCR Series for tippers	Dash Size	NB Thread	BAR	CARRIER HALF		PROBE HALF			
				CODE	Price	CODE	Price		
	16	3/4"	200	VCR-C-16F	22.15	VCR-C-16M	19.94		
	20	1"	200	VCR-C-20F	26.58	VCR-C-20M	24.37		
	INTERTHREAD			DUST CAPS		DUST PLUGS			
	16	1 3/8"-10	Ø41.9	V-DC-16	CAP	8.86	V-DP-16	PLUG	8.86
	20	1 3/4"-10	Ø44	V-DC-20	CAP	11.08	V-DP-20	PLUG	11.08

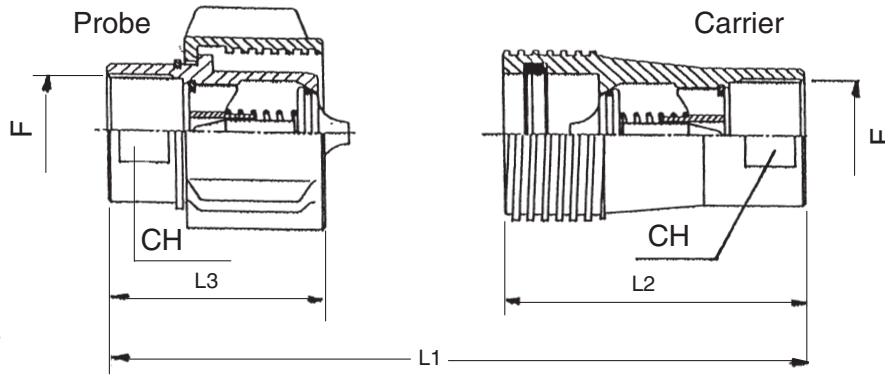
# Screw Type Couplings - DIN 3852 Y FORM - PVV3 IG



DN	BG	Dash	BAR	CH <sub>2</sub>	CH <sub>3</sub>	ØE	L <sub>1</sub>	L <sub>2</sub>	L <sub>3</sub>	F	CARRIER HALF		PROBE HALF	
											CODE	Price	CODE	Price
06	1	04	450							G 1/4	PVV3.0606.112		PVV3.0606.113	
10	2	06	450	22	22	34	98	64	49	G 1/4	PVV3.1006.112	10.53	PVV3.1006.113	10.53
										1/4 NPT	PVV3.1006.012	10.53	PVV3.1006.013	10.53
										G 3/8	PVV3.1010.112	10.53	PVV3.1010.113	10.53
										3/8 NPT	PVV3.1010.012	10.53	PVV3.1010.013	10.53
										M 16x1.5	PVV3.1016.102	10.53	PVV3.1016.103	10.53
										M 18x1.5	PVV3.1018.102	10.53	PVV3.1018.103	10.53
13	3	08	400	30	30	42	103	67	53	G 3/8	PVV3.1310.112	10.53	PVV3.1310.113	10.53
										3/8 NPT	PVV3.1310.012	10.53	PVV3.1310.013	10.53
										G 1/2	PVV3.1313.112	10.53	PVV3.1313.113	10.53
										1/2 NPT	PVV3.1313.012	10.53	PVV3.1313.013	10.53
										M 14x1.5	PVV3.1314.102	10.53	PVV3.1314.103	10.53
										M 16x1.5	PVV3.1316.102	10.53	PVV3.1316.103	10.53
										M 18x1.5	PVV3.1318.102	10.53	PVV3.1318.103	10.53
										M 22x1.5	PVV3.1322.102	10.53	PVV3.1322.103	10.53
20	4	12	400	36	36	47.5	129	84	66	G 1/2	PVV3.2013.112	25.59	PVV3.2013.113	25.59
										1/2 NPT	PVV3.2013.012	25.59	PVV3.2013.013	25.59
										G 3/4	PVV3.2019.112	25.59	PVV3.2019.113	25.59
										3/4 NPT	PVV3.2019.012	25.59	PVV3.2019.013	25.59
										M 18x1.5	PVV3.2018.102	25.59	PVV3.2018.103	25.59
										M 22x1.5	PVV3.2022.102	25.59	PVV3.2022.103	25.59
										M 26x1.5	PVV3.2026.102	25.59	PVV3.2026.103	25.59
25	5	16	300	41	41	55	152	100	78	G 3/4	PVV3.2519.112	31.46	PVV3.2519.113	31.46
										3/4 NPT	PVV3.2519.012	31.46	PVV3.2519.013	31.46
										G 1	PVV3.2525.112	31.46	PVV3.2525.113	31.46
										1 NPT	PVV3.2525.012	31.46	PVV3.2525.013	31.46
										M 30x1.5	PVV3.2530.102	31.46	PVV3.2530.103	31.46

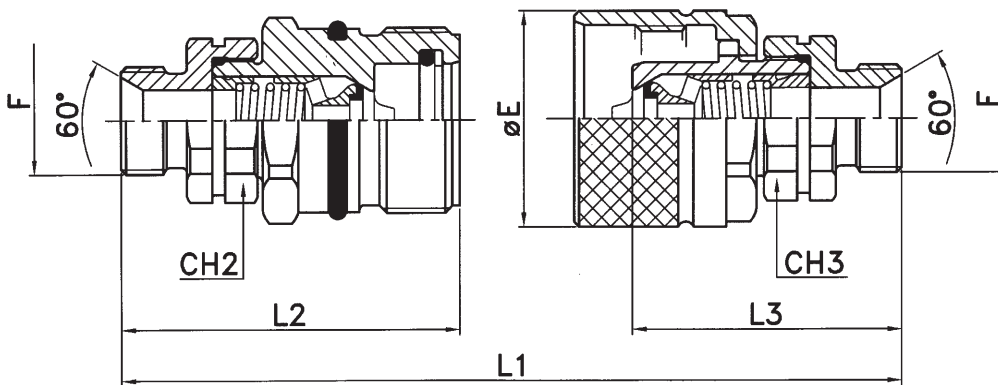
DASH	INTERTHREAD	DUST CAPS for FEMALE Coupling		DUST PLUGS for MALE Coupling	
		CAP	Price	PLUG	Price
04	M24x2	SPVV.06002	2.32	SPVV.06003	2.32
06	M28x2	SPVV.10002	2.32	SPVV.10003	2.32
08	M36x2	SPVV.13002	2.32	SPVV.13003	2.32
12	M42x2	SPVV.20002	3.54	SPVV.20003	3.54
16	M48x3	SPVV.25002	3.54	SPVV.25003	3.54
20	M70x3	SPVV.30002	3.54	SPVV.30003	3.54

# Screw Couplings Wing Nut Type - VIV



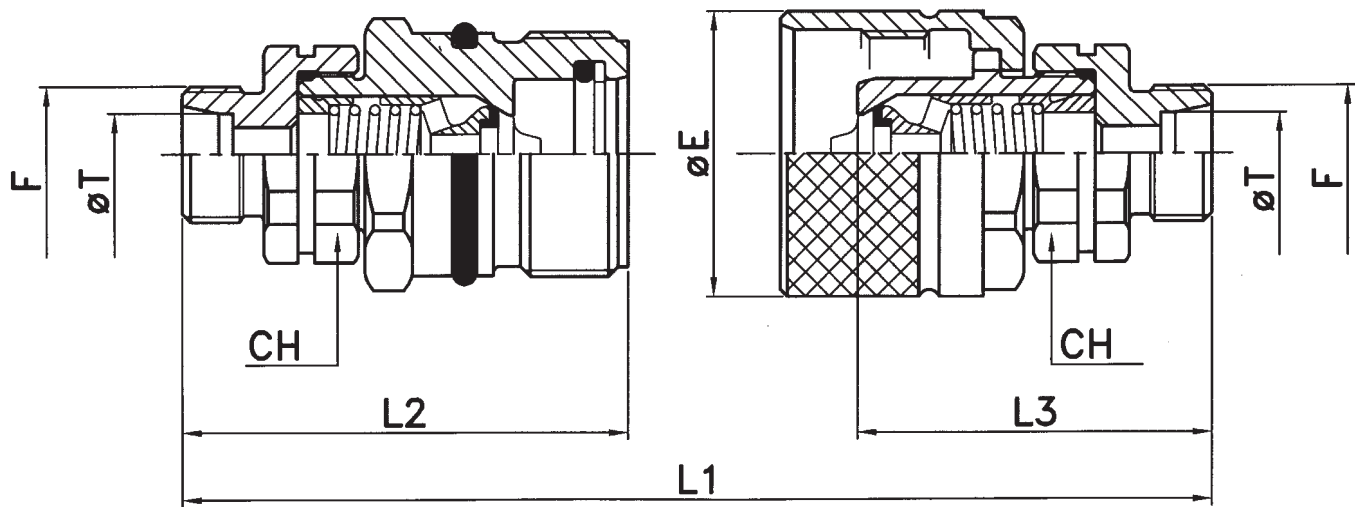
DN	BAR	CH	L <sub>1</sub>	L <sub>2</sub>	L <sub>3</sub>	Dash	Inter Thread	F	CARRIER HALF		PROBE HALF	
									CODE	Price	CODE	Price
30	220	50	138			20	M63x5	G 1 1/4	VIV1.3031.002	60.00	VIV1.3031.003	72.00
39	200	55	145			24	M70x5	G 1 1/2	VIV1.3939.002	72.00	VIV1.3939.003	96.00
50	130	70	177			32	M100x5	G 2	VIV1.5051.002	144.00	VIV1.5051.003	180.00
60	100	85	192			40	M100x5	G 2 1/2	VIV1.6363.002	168.00	VIV1.6363.003	216.00
<b>Aluminium Dust Caps &amp; Plugs</b>									<b>DUST CAPS</b>		<b>DUST PLUGS</b>	
						20	M63x5		SVIV.20002	20.00	SVIV.20003	15.00
						24	M70x5		SVIV.24002	20.00	SVIV.24003	15.00
						32	M100x5		SVIV.32002	P.O.A	SVIV.32003	P.O.A
					40	M100x5		SVIV.40002	P.O.A	SVIV.40003	P.O.A	

# Screw Type Couplings - 60° MALE THREADS PVV3 AG 60°



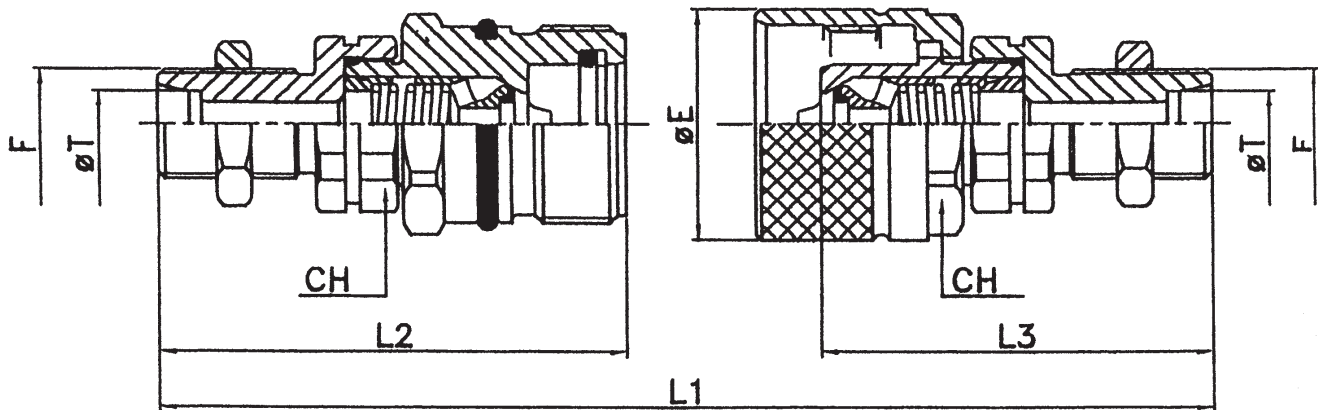
DN	BG	Dash	BAR	CH	ØE	L <sub>1</sub>	L <sub>2</sub>	L <sub>3</sub>	F	CARRIER HALF		PROBE HALF	
										CODE	Price	CODE	Price
10	2	06	450	22	34	102	66	51	G3/8	PVV3.1010.712	8.00	PVV3.1010.713	8.00
13	3	08	400	30	42	106	68.5	54.5	G3/8	PVV3.1310.212	8.00	PVV3.1310.213	8.00
						111	71	57	G1/2	PVV3.1313.212	8.00	PVV3.1313.213	8.00
						99	65	51	M 16x1.5	PVV3.1316.702	8.00	PVV3.1316.703	8.00
						105	68	54	M 22x1.5	PVV3.1322.702	8.00	PVV3.1322.703	8.00

# Screw Type Couplings - DIN 2353 LIGHT OR HEAVY PVV3 AG



DN	BG	Dash	BAR	ØT	CH	ØE	L <sub>1</sub>	L <sub>2</sub>	L <sub>3</sub>	F	CARRIER HALF		PROBE HALF	
											CODE	Price	CODE	Price
10	2	06	450	06L	22	34	94	62	47	M 12x1.5	PVV3.1012.302	15.18	PVV3.1012.303	15.18
				08L	22	34	94	62	47	M 14x1.5	PVV3.1014.302	15.18	PVV3.1014.303	15.18
				10L	22	34	96	63	48	M 16x1.5	PVV3.1016.302	15.18	PVV3.1016.303	15.18
				12L	22	34	96	63	48	M 18x1.5	PVV3.1018.302	15.18	PVV3.1018.303	15.18
13	3	08	400	08L	30	42	97	64	50	M 14x1.5	PVV3.1314.302	15.18	PVV3.1314.303	15.18
				10L	30	42	99	65	51	M 16x1.5	PVV3.1316.302	15.18	PVV3.1316.303	15.18
				12L	30	42	99	65	51	M 18x1.5	PVV3.1318.302	15.18	PVV3.1318.303	15.18
				15L	30	42	101	66	52	M 22x1.5	PVV3.1322.302	15.18	PVV3.1322.303	15.18
				18L	30	42	101	66	52	M 26x1.5	PVV3.1326.302	15.18	PVV3.1326.303	15.18
20	4	12	400	12L	36	47.5	123	81	63	M 18x1.5	PVV3.2018.302	25.59	PVV3.2018.303	25.59
				15L	36	47.5	125	82	64	M 22x1.5	PVV3.2022.302	25.59	PVV3.2022.303	25.59
				18L	36	47.5	125	82	64	M 26x1.5	PVV3.2026.302	25.59	PVV3.2026.303	25.59
				22L	36	47.5	129	84	66	M 30x2	PVV3.2030.302	25.59	PVV3.2030.303	25.59
25	5	16	300	18L	41	55	138	93	71	M 26x1.5	PVV3.2526.302	32.56	PVV3.2526.303	32.56
				22L	41	55	142	95	73	M 30x2	PVV3.2530.302	32.56	PVV3.2530.303	32.56
				28L	41	55	142	95	73	M 36x2	PVV3.2536.302	32.56	PVV3.2536.303	32.56
				35L	46	55	146	97	75	M 45x2	PVV3.2545.302	32.56	PVV3.2545.303	32.56
10	2	06	450	08S	22	34	98	64	49	M 16x1.5	PVV3.1016.402	15.18	PVV3.1016.403	15.18
				10S	22	34	98	64	49	M 18x1.5	PVV3.1018.402	15.18	PVV3.1018.403	15.18
				12S	22	34	98	64	49	M 20x1.5	PVV3.1020.402	15.18	PVV3.1020.403	15.18
13	3	08	400	10S	30	42	101	66	52	M 18x1.5	PVV3.1318.402	15.18	PVV3.1318.403	15.18
				12S	30	42	101	66	52	M 20x1.5	PVV3.1320.402	15.18	PVV3.1320.403	15.18
				14S	30	42	105	68	54	M 22x1.5	PVV3.1322.402	15.18	PVV3.1322.403	15.18
				16S	30	42	105	68	54	M 24x1.5	PVV3.1324.402	15.18	PVV3.1324.403	15.18
				20S	30	42	109	70	56	M 30x2	PVV3.1330.402	15.18	PVV3.1330.403	15.18
20	4	12	400	10S	36	47.5	125	82	64	M 18x1.5	PVV3.2018.402	25.59	PVV3.2018.403	25.59
				12S	36	47.5	125	82	64	M 20x1.5	PVV3.2020.402	25.59	PVV3.2020.403	25.59
				14S	36	47.5	129	84	66	M 22x1.5	PVV3.2022.402	25.59	PVV3.2022.403	25.59
				16S	36	47.5	129	84	66	M 24x1.5	PVV3.2024.402	25.59	PVV3.2024.403	25.59
				20S	36	47.5	131	86	66	M 30x2	PVV3.2030.402	25.59	PVV3.2030.403	25.59
25	5	16	300	20S	41	55	146	97	75	M 30x2	PVV3.2530.402	32.56	PVV3.2530.403	32.56
				25S	41	55	150	99	77	M 36x2	PVV3.2536.402	32.56	PVV3.2536.403	32.56
				30S	46	55	154	101	79	M 42x2	PVV3.2542.402	32.56	PVV3.2542.403	32.56
				38S	55	80	190	113	106	M42x2	PVV3.3042.402	122.18	PVV3.3042.403	122.18
30	6	20	300	30S	55	80	190	113	106	M52x2	PVV3.3052.402	122.18	PVV3.3052.403	122.18
				38S	55	80	192	115	106	M52x2	PVV3.3052.402	122.18	PVV3.3052.403	122.18

# Screw Type Couplings - DIN 2353 LIGHT OR HEAVY PVV3 AGS



DN	BG	Dash	BAR	ØT	CH	ØE	L <sub>1</sub>	L <sub>2</sub>	L <sub>3</sub>	F	CARRIER HALF		PROBE HALF	
											CODE	Price	CODE	Price
10	2	06	450	06L	22	34	128	79	64	M 12x1.5	PVV3.1012.502	15.18	PVV3.1012.503	15.18
				08L	22	34	126	78	63	M 14x1.5	PVV3.1014.502	15.18	PVV3.1014.503	15.18
				10L	22	34	126	78	63	M 16x1.5	PVV3.1016.502	15.18	PVV3.1016.503	15.18
				12L	22	34	126	78	63	M 18x1.5	PVV3.1018.502	15.18	PVV3.1018.503	15.18
13	3	08	400	08L	30	42	129	80	66	M 14x1.5	PVV3.1314.502	15.18	PVV3.1314.503	15.18
				10L	30	42	129	80	66	M 16x1.5	PVV3.1316.502	15.18	PVV3.1316.503	15.18
				12L	30	42	129	80	66	M 18x1.5	PVV3.1318.502	15.18	PVV3.1318.503	15.18
				15L	30	42	131	81	67	M 22x1.5	PVV3.1322.502	15.18	PVV3.1322.503	15.18
				18L	30	42	131	81	67	M 26x1.5	PVV3.1326.502	15.18	PVV3.1326.503	15.18
20	4	12	400	12L	36	47.5	153	96	78	M 18x1.5	PVV3.2018.502	27.91	PVV3.2018.503	27.91
				15L	36	47.5	155	97	79	M 22x1.5	PVV3.2022.502	27.91	PVV3.2022.503	27.91
				18L	36	47.5	155	97	79	M 26x1.5	PVV3.2026.502	27.91	PVV3.2026.503	27.91
				22L	36	47.5	169	104	86	M 30x2	PVV3.2030.502	27.91	PVV3.2030.503	27.91
25	5	16	300	18L	41	55	182	115	93	M 26x1.5	PVV3.2526.502	32.56	PVV3.2526.503	32.56
				22L	41	55	182	115	93	M 30x2	PVV3.2530.502	32.56	PVV3.2530.503	32.56
				28L	41	55	182	115	93	M 36x2	PVV3.2536.502	32.56	PVV3.2536.503	32.56
				35L	46	55	194	121	99	M 45x2	PVV3.2545.502	32.56	PVV3.2545.503	32.56
10	2	06	450	08S	22	34	128	79	64	M 16x1.5	PVV3.1016.602	15.18	PVV3.1016.603	15.18
				10S	22	34	128	79	64	M 18x1.5	PVV3.1018.602	15.18	PVV3.1018.603	15.18
				12S	22	34	128	79	64	M 20x1.5	PVV3.1020.602	15.18	PVV3.1020.603	15.18
13	3	08	400	10S	30	42	131	81	67	M 18x1.5	PVV3.1318.602	15.18	PVV3.1318.603	15.18
				12S	30	42	131	81	67	M 20x1.5	PVV3.1320.602	15.18	PVV3.1320.603	15.18
				14S	30	42	135	83	69	M 22x1.5	PVV3.1322.602	15.18	PVV3.1322.603	15.18
				16S	30	42	135	83	69	M 24x1.5	PVV3.1324.602	15.18	PVV3.1324.603	15.18
				20S	30	42	135	83	69	M 30x2	PVV3.1330.602	15.18	PVV3.1330.603	15.18
20	4	12	400	10S	36	47.5	155	97	79	M 18x1.5	PVV3.2018.602	27.91	PVV3.2018.603	27.91
				12S	36	47.5	155	97	79	M 20x1.5	PVV3.2020.602	27.91	PVV3.2020.603	27.91
				14S	36	47.5	159	99	81	M 22x1.5	PVV3.2022.602	27.91	PVV3.2022.603	27.91
				16S	36	47.5	159	99	81	M 24x1.5	PVV3.2024.602	27.91	PVV3.2024.603	27.91
				20S	36	47.5	159	99	81	M 30x2	PVV3.2030.602	27.91	PVV3.2030.603	27.91
25	5	16	300	20S	55	41	185	117	95	M 30x2	PVV3.2530.602	32.56	PVV3.2530.603	32.56
				25S	55	41	190	117	97	M 36x2	PVV3.2536.602	32.56	PVV3.2536.603	32.56
				30S	55	46	194	117	99	M 42x2	PVV3.2542.602	32.56	PVV3.2542.603	32.56