

Quick Release Couplings ISO 'A'

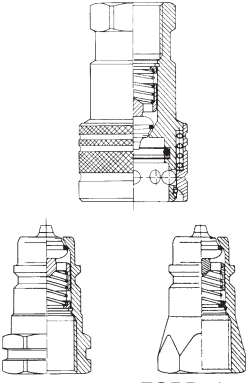
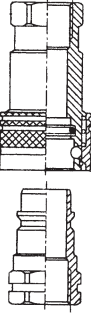


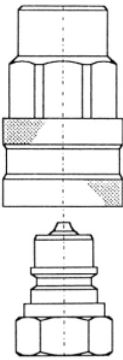
To ISO 7241-1 'A' Series (except *)

Carbon steel, zinc passivated

STAINLESS STEEL + VITON

Temp: -25°C to 125°C

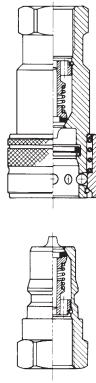
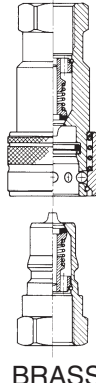
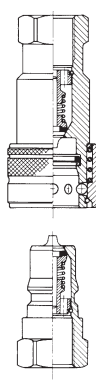


Temp: -25°C to 125°C

PAV SERIES	Dash Size	NB Thread	BAR	CARRIER HALF		PROBE HALF				
				CODE	Price	CODE	Price			
 <p>Carbon steel, zinc passivated</p> <p>FORD shape</p>	04	1/4"	350	PAV1.0606.002	3.88	PAV1.0606.003	1.99			
	06	3/8"	300	PAV1.1010.002	4.43	PAV1.1010.003	1.99			
	08	1/2"	250	PAV1.1313.002	4.88	PAV1.1313.003	2.22			
	08	1/2"	250			PAV4.1313.003	2.88			
	08	3/4 UNF	250	PAV1.1319.032	5.76	PAV1.1319.033	2.77			
	08	22x1.5	250	PAV1.1322.102	5.76	PAV1.1322.103	2.77			
	12	3/4"	250	PAV1.2019.002	8.86	PAV1.2019.003	4.54			
	16	1"	250	PAV1.2525.002	17.17	PAV1.2525.003	8.86			
	20	1 1/4"	250	PAV1.3031.002	45.97	PAV1.3031.003	23.04			
	24	1 1/2"	200	PAV1.3939.002	58.49	PAV1.3939.003	28.25			
	32	2"	190	PAV1.5051.002	121.85	PAV1.5051.003	65.57			
	40	2 1/2"	100	PAV-C-G250F *	150.00	PAV-C-250M *	90.00			
	FS = FORD shape FSP = FORD shape for connection under pressure NPT threads, price plus 20% Viton or EPDM seals, price plus 35%									
	 <p>Valveless</p>	VALVELESS - ZINC PASSIVATED								
04		1/4"	250	PA01.0606.002	3.88	PA01.0606.003	1.99			
06		3/8"	250	PA01.1010.002	4.43	PA01.1010.003	1.99			
08		1/2"	250	PA01.1313.002	4.88	PA01.1313.003	2.22			
12		3/4"	250	PA01.2019.002	8.72	PA01.2019.003	3.88			
16		1"	250	PA01.2525.002	17.22	PA01.2525.003	9.16			
VALVELESS - CHROMIUM PLATED										
06		3/8"	250	PAOC.1010.002	5.65	PAOC.1010.003	2.54			
08		1/2"	250	PAOC.1313.002	6.32	PAOC.1313.003	2.88			
12		3/4"	250	PAOC.2019.002	13.29	PAOC.2019.003	5.98			
ORK O-rings kits 	REF. ISO 'A'		Price	DUST CAPS FOR ISO 'A' Series			Price			
	A.ORK-14		0.90							
	A.ORK-38		1.00							
	A.ORK-12		1.20				SPAV.06003	0.89	SPAV.06002	0.89
	A.ORK-34		1.30				SPAV.10003	0.89	SPAV.10002	0.89
	A.ORK-100		1.60				SPAV.13003	0.89	SPAV.13002	0.89
	A.ORK-114		3.50				SPAV.20003	2.77	SPAV.20002	2.77
	A.ORK-112		6.00				SPAV.25003	3.33	SPAV.25002	3.33
	A.ORK-200		8.00				SPAV.30202	6.97	SPAV.30203	6.97
							SPAV.39203	34.82	SPAV.39202	23.96
			SPAV.50203				41.30	SPAV.50202	31.76	
SCB SERIES  <p>Carbon steel</p> <p>STAINLESS</p>	04	1/4"	350	SCB-C-G14F	3.43	SCB-C-G14M	1.75			
	06	3/8"	300	SCB-C-G38F	4.08	SCB-C-G38M	1.87			
	08	1/2"	280	SCB-C-G12F	4.65	SCB-C-G12M	2.11			
	08	7/8 UNF	250	SCB-C-78UNFF	7.76	SCB-C-78UNFM	4.88			
	12	3/4"	250	SCB-C-G34F	8.64	SCB-C-G34M	4.21			
	12	1.1/16 UNF	250	SCB-C-116UNFF	16.62	SCB-C-116UNFM	8.86			
	16	1"	230	SCB-C-G100F	14.50	SCB-C-G100M	6.97			
	20	1 1/4"	220	SCB-C-G114F *	81.97	SCB-C-G114M *	40.99			
	24	1 1/2"	200	SCB-C-G112F *	131.82	SCB-C-G112M *	96.38			
	32	2"	160	SCB-C-G200F *	214.89	SCB-C-G200M *	119.63			
	04	1/4"	230	SCB-X-G14F	68.68	SCB-X-G14M	28.80			
	06	3/8"	175	SCB-X-G38F	74.22	SCB-X-G38M	28.80			
	08	1/2"	150	SCB-X-G12F	74.22	SCB-X-G12M	34.34			
	12	3/4"	125	SCB-X-G34F	91.94	SCB-X-G34M	57.60			
	16	1"	100	SCB-X-G100F	160.62	SCB-X-G100M	91.94			
	20	1 1/4"	100	SCB-X-G114F *	321.23	SCB-X-G114M *	232.62			
	24	1 1/2"	75	SCB-X-G112F *	354.46	SCB-X-G112M *	254.77			
	32	2"	50	SCB-X-G200F *	980.00	SCB-X-G200M *	500.00			

Quick Release Couplings ISO 'B'

To ISO 7241-1 'B' Series

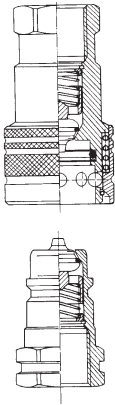
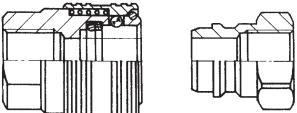
Interchanges: HANSEN HK - Aeroquip 45 - Parker 60-Dynaquip DH - Snap-tite 72 - Faster HNV

PBV Series (formerly HNV)	Dash Size	NB	BAR	CARRIER HALF		PROBE HALF		
				CODE	Price	CODE	Price	
 <p>CARBON STEEL</p>	CARBON STEEL, ZINC PASSIVATED + BUNA Temperature range: -25°C to +125°C							
	02	1/8"	400	PBV1.0404.002	5.20	PBV1.0404.003	2.54	
	04	1/4"	350	PBV1.0606.002	5.20	PBV1.0606.003	2.54	
	06	3/8"	325	PBV1.1010.002	7.20	PBV1.1010.003	2.99	
	08	1/2"	250	PBV1.1313.002	9.31	PBV1.1313.003	3.21	
	12	3/4"	250	PBV1.2019.002	15.73	PBV1.2019.003	6.10	
	16	1"	225	PBV1.2525.002	25.58	PBV1.2525.003	15.06	
	24	1 1/4"	120	PBV1.3931.002	127.39	PBV1.3931.003	108.55	
	24	1 1/2"	120	PBV1.3939.002	127.39	PBV1.3939.003	108.55	
	32	2"	100	PBV1.5051.002	249.24	PBV1.5051.003	187.21	
	 <p>BRASS</p>	BRASS, 316 SPRING + BALLS. VITON Temperature range: -25°C to +200°C						
		02	1/8"	250	PBVM.0404.002	6.42	PBVM.0404.003	2.77
04		1/4"	200	PBVM.0606.002	7.82	PBVM.0606.003	2.99	
06		3/8"	200	PBVM.1010.002	10.53	PBVM.1010.003	3.88	
08		1/2"	200	PBVM.1313.002	13.96	PBVM.1313.003	4.65	
12		3/4"	150	PBVM.2019.002	26.81	PBVM.2019.003	8.09	
16		1"	180	PBVM.2525.002	44.31	PBVM.2525.003	16.40	
24		1 1/4"	100	PBVM.3931.002	155.08	PBVM.3931.003	117.42	
24		1 1/2"	100	PBVM.3939.002	155.08	PBVM.3939.003	117.42	
32		2"	80	PBVM.5051.002	408.62	PBVM.5051.003	338.22	
 <p>STAINLESS STEEL</p>		303/316 STAINLESS STEEL, VITON Temperature range: -25°C to +200°C						
		02	1/8"	300	PBVX.0404.002	303 48.38	PBVX.0404.003	303 21.45
	04	1/4"	300	PBVX.0606.002	48.38	PBVX.0606.003	21.45	
	06	3/8"	280	PBVX.1010.002	55.10	PBVX.1010.003	23.53	
	08	1/2"	250	PBVX.1313.002	67.51	PBVX.1313.003	24.92	
	12	3/4"	250	PBVX.2019.002	91.06	PBVX.2019.003	42.09	
	16	1"	200	PBVX.2525.002	139.19	PBVX.2525.003	59.17	
	24	1 1/4"	110	PBVX.3931.002	292.31	PBVX.3931.003	227.37	
	24	1 1/2"	110	PBVX.3939.002	292.31	PBVX.3939.003	227.37	
	32	2"	90	PBVX.5051.002 *	649.59	PBVX.5051.003	487.18	
	For NPT threads, add 10% to the price							
	ORK O-ring kits 	REF. ISO 'B'	Price	DUST CAPS FOR ISO 'B' Series				Price
B.ORK-14		1.00						
B.ORK-38		1.11						
B.ORK-12		1.33	B.DC-18 CAP	3.00	B.DP-18 PLUG	3.00		
B.ORK-34		1.44	B.DC-14 CAP	1.00	B.DP-14 PLUG	1.00		
B.ORK-100		1.77	B.DC-38 CAP	3.60	B.DP-38 PLUG	3.60		
B.ORK-114		3.88	B.DC-12 CAP	4.00	B.DP-12 PLUG	4.00		
B.ORK-112		6.97	B.DC-34 CAP	5.00	B.DP-34 PLUG	5.00		
B.ORK-200		9.31	B.DC-100 CAP	7.00	B.DP-100 PLUG	7.00		
			B.DC-114 CAP	30.00	B.DP-114 PLUG	22.00		
		B.DC-112 CAP	30.00	B.DP-112 PLUG	22.00			
		B.DC-200 CAP	46.00	B.DP-200 PLUG	40.00			

Quick Release Couplings to DIN Standard

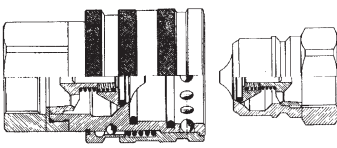
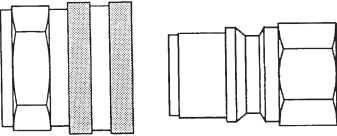
Carbon steel, zinc plated, BUNA seals Temperature range: -25°C to +125°C

Interchange: Parker 4000, Faster NV/NS, Stucchi IR/IRV

PDV Series (poppet)	Dash Size	NB Thread	BAR	CARRIER HALF		PROBE HALF		
				CODE	Price	CODE	Price	
	04	1/4"	350	PDV1.0606.002	4.98	PDV1.0606.003	2.44	
	06	3/8"	350	PDV1.1010.002	6.40	PDV1.1010.003	2.77	
	08	1/2"	250	PDV1.1313.002	7.42	PDV1.1313.003	3.21	
	12	3/4"	250	PDV1.2019.002	13.96	PDV1.2019.003	6.40	
	16	1"	250	PDV1.2525.002	21.49	PDV1.2525.003	11.85	
	20	1 1/4"	250	PDV1.3031.002	54.28	PDV1.3031.003	28.80	
	24	1 1/2"	210	PDV1.3939.002	77.54	PDV1.3939.003	37.66	
	32	2"	100	PDV1.5051.002	132.92	PDV1.5051.003	77.54	
	04	1/4"	350	PDS1.0606.002	4.98	PDS1.0606.003	2.44	
	06	3/8"	250	PDS1.1010.002	6.40	PDS1.1010.003	2.77	
	08	1/2"	210	PDS1.1313.002	7.42	PDS1.1313.003	3.21	
	12	3/4"	250	PDS1.2019.002	13.96	PDS1.2019.003	6.40	
	16	1"	225	PDS1.2525.002	21.49	PDS1.2525.003	11.85	
	PDV-O Series Valveless	CARBON STEEL, NICKEL PLATED, BUNA-SHORTBODY Valveless version for Pressure Washers						
		04	1/4"	350	PDV-O-G14F	6.97	PDV-O-G14M	2.32
		06	3/8"	300	PDV-O-G38F	7.20	PDV-O-G38M	2.44
08		1/2"	250	PDV-O-G12F	8.42	PDV-O-G12M	2.88	
PDV DUST PLUGS & CAPS 1/4" + 3/8" 1.00 each								

Quick Release Couplings - TEMA Interchange

Carbon steel, zinc plated, BUNA seals Temperature range: -25°C to +125°C

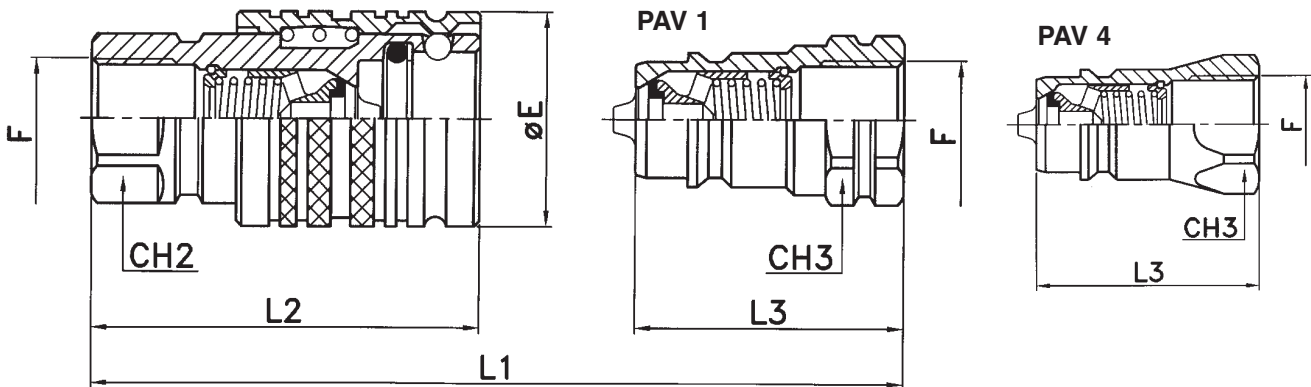
TFH Series Valved version	Dash Size	NB Thread	BAR	CARRIER HALF		PROBE HALF	
				CODE	Price	CODE	Price
	04	1/4"	350	TFH-C-G14F	12.00	TFH-C-G14M	5.00
	06	3/8"	300	TFH-C-G38F	16.00	TFH-C-G38M	5.00
	08	1/2"	280	TFH-C-G12F	17.00	TFH-C-G12M	7.00
	12	3/4"	250	TFH-C-G34F	25.50	TFH-C-G34M	10.00
	16	1"	230	TFH-C-G100F	42.00	TFH-C-G100M	17.00
TFH-O Series Valveless	Valveless version for pressure washers Nickel plated with Viton seals Temperature range: -25°C to +200°C						
	06	3/8"	300	TFH-O-G38F	9.41	TFH-O-G38M	2.44
				O-RING KIT	2.50	TFH-OX-G38M	11.81
Interchange: Nito-6500-DK							

BONOMI CONNECTIONS

Push-Pull Quick Release Couplings - PPV1

Carbon steel, zinc plated, BUNA Temperature range: -25°C to +125°C

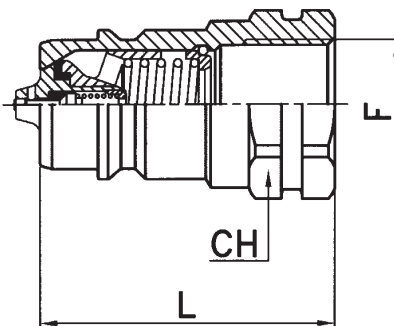
250 BAR Interchange: Parker 2000, Faster 2PV/CPV



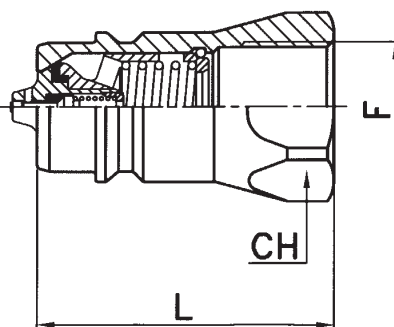
DN	Dash	BG	CH ₂	CH ₃	ØE	L ₁	L ₂	L ₃	F	CARRIER HALF		PROBE HALF	
										CODE	Price	CODE	Price
13	08	3	27	27	38	96	70	48	G 1/2	PPV1.1313.002	8.31	PAV1.1313.003	4.76
									1/2 NPT	PPV1.1313.012	8.31	PAV4.1313.013	4.76
									RC 1/2	PPV1.1313.042	8.31	PAV1.1313.043	4.76
									M 22x1.5	PPV1.1322.102	8.31	PAV1.1322.103	4.76
									3/4 UNF	PPV1.1319.032	8.31	PAV4.1319.033	4.76
									G 1/2	PPV1.1319.032	8.31	PAV4.1313.033	4.76
					92.5	66.5	48						
					96	70	48						

Push-Pull Quick Release Couplings - PKK1

PKK 1



PKK 4



Characteristics

Size DN13 (1/2") male couplings in this range are manufactured to ISO 7241-1 A standards. The valve is designed so that a given quantity of oil (sufficient to unload the pressure inside the coupling) will be allowed to escape at the moment of connecting. These male couplings are available in all versions and with all threads, standard (PAV) and push-pull.

Applications

The main feature of these male couplings is that they can be connected to the female even if there is residual pressure in the circuit. This makes them suitable for agricultural applications, and in all hydraulic circuits affected by this type of problem.

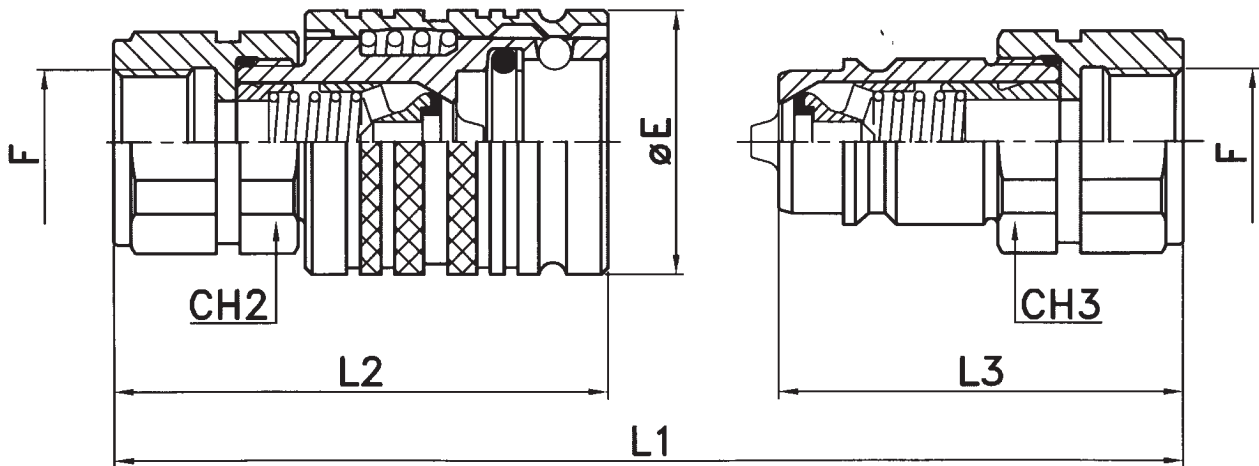
Male connectable under pressure with drain hole

DN	Dash	BG	CH	L	F	PROBE HALF	
						CODE	Price
13	08	3	27	47	G 1/2	PKK1.1313.003	5.10
					1/2 NPT	PKK4.1313.013	5.10
					RC 1/2	PKK1.1313.043	5.10
					M 22x1.5	PKK1.1322.103	5.10
					3/4 UNF	PKK4.1319.033	5.10
					G 1/2	PKK4.1313.003	5.10

Push-Pull Quick Release Couplings - PPV3 IG

Carbon steel, zinc plated, BUNA Temperature range: -25°C to +125°C

250 BAR Interchange: Parker 2000, Faster 2PV/CPV

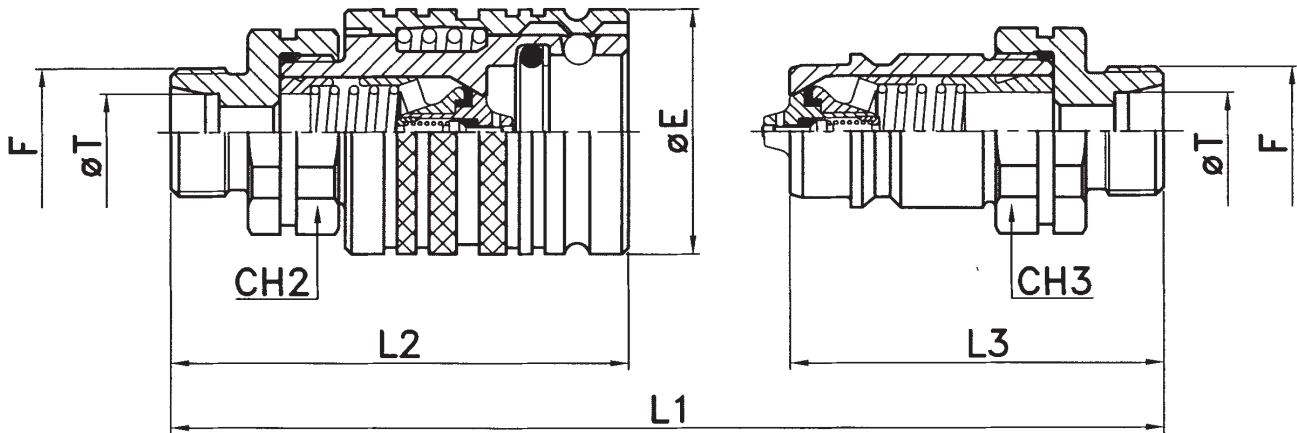


DN	BG	Dash	CH ₂	CH ₃	ØE	L ₁	L ₂	L ₃	F	CARRIER HALF		PROBE HALF	
										CODE	Price	CODE	Price
06	1	04							G 1/4	PPV3.0606.112	POA	PPV3.0606.113	POA
10	2	06	22	22	31	98	67	49	G 1/4	PPV3.1006.112	8.31	PPV3.1006.113	4.76
									1/4 NPT	PPV3.1006.012	8.31	PPV3.1006.013	4.76
									G 3/8	PPV3.1010.112	8.31	PPV3.1010.113	4.76
									3/8 NPT	PPV3.1010.012	8.31	PPV3.1010.013	4.76
									M 16x1.5	PPV3.1016.102	8.31	PPV3.1016.103	4.76
									M 18x1.5	PPV3.1018.102	8.31	PPV3.1018.103	4.76
13	3	08	30	30	38	109	72	59	G 3/8	PPV3.1310.112	8.31	PPV3.1310.113	4.76
									3/8 NPT	PPV3.1310.012	8.31	PPV3.1310.013	4.76
									G 1/2	PPV3.1313.112	8.31	PPV3.1310.113	4.76
									1/2 NPT	PPV3.1313.012	8.31	PPV3.1313.013	4.76
20	4	12	36	36	46	132	93.3	66	G 1/2	PPV3.2013.112	31.02	PPV3.2013.113	14.41
									1/2 NPT	PPV3.2013.012	31.02	PPV3.2013.013	14.41
									G 3/4	PPV3.2019.112	31.02	PPV3.2019.113	14.41
									3/4 NPT	PPV3.2019.012	31.02	PPV3.2019.013	14.41
									M 18x1.5	PPV3.2018.102	31.02	PPV3.2018.103	14.41
									M 22x1.5	PPV3.2022.102	31.02	PPV3.2022.103	14.41
25	5	16	41	41	54	142	99.5	76	G 3/4	PPV3.2519.112	33.23	PPV3.2519.113	16.62
									3/4 NPT	PPV3.2519.012	33.23	PPV3.2519.013	16.62
									G 1	PPV3.2525.112	33.23	PPV3.2525.113	16.62
									1 NPT	PPV3.2525.012	33.23	PPV3.2525.013	16.62
									M 30x1.5	PPV3.2530.102	33.23	PPV3.2530.103	16.62

Push-Pull Quick Release Couplings - PPV3 AG

Carbon steel, zinc plated, BUNA - Temperature range: -25°C to +125°C

DIN 2353 Light or Heavy - Interchange: Parker 2000, Faster 2PV/CPV



DN	BG	Dash	BAR	ØT	CH ₂	CH ₃	ØE	L ₁	L ₂	L ₃	F	CARRIER HALF		PROBE HALF	
												CODE	Price	CODE	Price
10	2	06	270	06L	22	22	31	94	65	47	M 12x1.5	PPV3.1012.302	10.70	PPV3.1012.303	5.98
				08L	22	22	31	94	65	47	M 14x1.5	PPV3.1014.302	10.70	PPV3.1014.303	5.98
				10L	22	22	31	96	66	48	M 16x1.5	PPV3.1016.302	10.70	PPV3.1016.303	5.98
				12L	22	22	31	96	66	48	M 18x1.5	PPV3.1018.302	10.70	PPV3.1018.303	5.98
13	3	08	250	08L	30	30	38	103	69	56	M 14x1.5	PPV3.1314.302	10.70	PPV3.1314.303	5.98
				10L	30	30	38	105	70	57	M 16x1.5*	PPV3.1316.302	10.70	* PPV3.1316.303	5.98
				12L	30	30	38	105	70	57	M 18x1.5	PPV3.1318.302	10.70	PPV3.1318.303	5.98
				15L	30	30	38	107	71	58	M 22x1.5*	PPV3.1322.302	10.70	* PPV3.1322.303	5.98
				18L	30	30	38	107	71	58	M 26x1.5	PPV3.1326.302	10.70	PPV3.1326.303	5.98
20	4	12	225	12L	36	36	46	126	90	63	M 18x1.5	PPV3.2018.302	32.15	PPV3.2018.303	13.98
				15L	36	36	46	128	91	64	M 22x1.5	PPV3.2022.302	32.15	PPV3.2022.303	13.98
				18L	36	36	46	128	91	64	M 26x1.5	PPV3.2026.302	32.15	PPV3.2026.303	13.98
				22L	36	36	46	132	93	66	M 30x2	PPV3.2030.302	32.15	PPV3.2030.303	13.98
25	5	16	225	18L	41	41	54	128	92	69	M 26x1.5	PPV3.2526.302	37.22	PPV3.2526.303	15.18
				22L	41	41	54	132	94	71	M 30x2	PPV3.2530.302	37.22	PPV3.2530.303	15.18
				28L	41	41	54	132	94	71	M 36x2	PPV3.2536.302	37.22	PPV3.2536.303	15.18
				35L	46	46	54	136	96	73	M 45x2	PPV3.2545.302	37.22	PPV3.2545.303	15.18
10	2	06	270	08S	22	22	31	98	67	49	M 16x1.5	PPV3.1016.402	10.70	PPV3.1016.403	5.98
				10S	22	22	31	98	67	49	M 18x1.5	PPV3.1018.402	10.70	PPV3.1018.403	5.98
				12S	22	22	31	98	67	49	M 20x1.5	PPV3.1020.402	10.70	PPV3.1020.403	5.98
13	3	08	250	10S	30	30	38	107	71	58	M 18x1.5	PPV3.1318.402	10.70	PPV3.1318.403	5.98
				12S	30	30	38	107	71	58	M 20x1.5	PPV3.1320.402	10.70	PPV3.1320.403	5.98
				14S	30	30	38	111	73	60	M 22x1.5	PPV3.1322.402	10.70	PPV3.1322.403	5.98
				16S	30	30	38	111	73	60	M 24x1.5	PPV3.1324.402	10.70	PPV3.1324.403	5.98
				20S	30	30	38	115	75	62	M 30x2	PPV3.1330.402	10.70	PPV3.1330.403	5.98
20	4	12	225	10S	36	36	46	128	91	64	M 18x1.5	PPV3.2018.402	32.15	PPV3.2018.403	13.98
				12S	36	36	46	128	91	64	M 20x1.5	PPV3.2020.402	32.15	PPV3.2020.403	13.98
				14S	36	36	46	132	93	66	M 22x1.5	PPV3.2022.402	32.15	PPV3.2022.403	13.98
				16S	36	36	46	132	93	66	M124 x1.5	PPV3.2024.402	32.15	PPV3.2024.403	13.98
				20S	36	36	46	136	95	68	M 30x2	PPV3.2030.402	32.15	PPV3.2030.403	13.98
25	5	16	225	20S	41	41	54	136	96	73	M 30x2	PPV3.2530.402	37.22	PPV3.2530.403	15.18
				25S	41	41	54	140	98	75	M 36x2	PPV3.2536.402	37.22	PPV3.2536.403	15.18
				30S	46	46	54	144	100	77	M 42x2	PPV3.2542.402	37.22	PPV3.2542.403	15.18

* ØT Available with 60° cone.

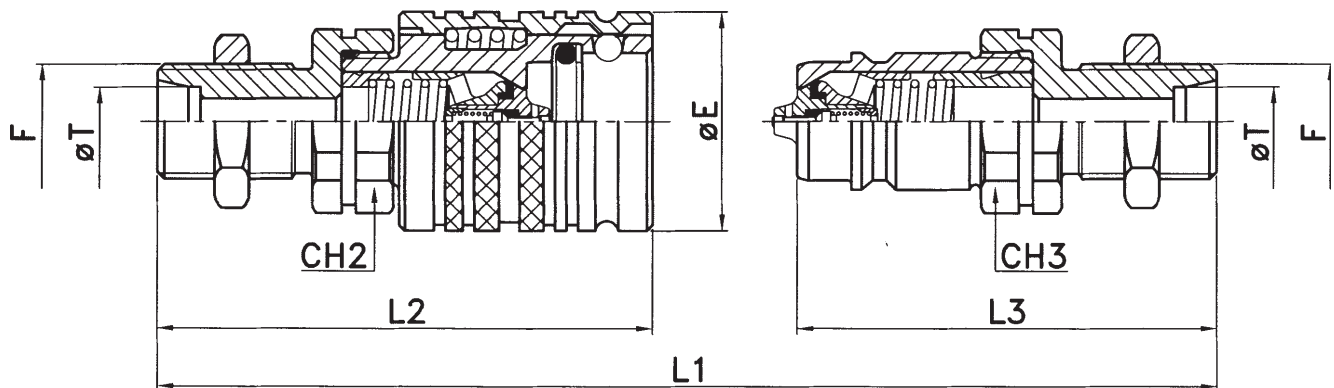
Code xxxx.702/703 RESP. - Also with G3/8" + G 1/2" threads

BONOMI CONNECTIONS

Push-Pull Quick Release Couplings - PPV3 AGS

Carbon steel, zinc plated, BUNA - Temperature range: -25°C to +125°C

DIN 2353 Light or Heavy - Interchange: Parker 2000, Faster 2PV/CPV



DN	BG	Dash	BAR	ØT	CH ₂	CH ₃	ØE	L ₁	L ₂	L ₃	F	CARRIER HALF		PROBE HALF	
												CODE	Price	CODE	Price
10	2	06	270	06L	22	22	31	126	81	63	M 12x1.5	PPV3.1012.502	12.07	PPV3.1012.503	7.09
				08L	22	22	31	126	81	63	M 14x1.5	PPV3.1014.502	12.07	PPV3.1014.503	7.09
				10L	22	22	31	126	81	63	M 16x1.5	PPV3.1016.502	12.07	PPV3.1016.503	7.09
				12L	22	22	31	126	81	63	M 18x1.5	PPV3.1018.502	12.07	PPV3.1018.503	7.09
13	3	08	250	08L	30	30	38	135	85	72	M 14x1.5	PPV3.1314.502	12.07	PPV3.1314.503	7.09
				10L	30	30	38	135	85	72	M 16x1.5	PPV3.1316.502	12.07	PPV3.1316.503	7.09
				12L	30	30	38	135	85	72	M 18x1.5	PPV3.1318.502	12.07	PPV3.1318.503	7.09
				15L	30	30	38	137	86	72	M 22x1.5	PPV3.1322.502	12.07	PPV3.1322.503	7.09
				18L	30	30	38	137	86	72	M 26x1.5	PPV3.1326.502	12.07	PPV3.1326.503	7.09
20	4	12	225	12L	36	36	46	156	105	78	M 18x1.5	PPV3.2018.502	33.05	PPV3.2018.503	14.86
				15L	36	36	46	158	106	79	M 22x1.5	PPV3.2022.502	33.05	PPV3.2022.503	14.86
				18L	36	36	46	158	106	79	M 26x1.5	PPV3.2026.502	33.05	PPV3.2026.503	14.86
				22L	36	36	46	172	113	86	M 30x2	PPV3.2030.502	33.05	PPV3.2030.503	14.86
25	5	16	225	18L	41	41	54	172	114	91	M 26x1.5	PPV3.2526.502	43.09	PPV3.2526.503	16.28
				22L	41	41	54	172	114	91	M 30x2	PPV3.2530.502	43.09	PPV3.2530.503	16.28
				28L	41	41	54	172	114	91	M 36x2	PPV3.2536.502	43.09	PPV3.2536.503	16.28
				35L	46	46	54	184	120	97	M 45x2	PPV3.2545.502	43.09	PPV3.2545.503	16.28
10	2	06	270	08S	22	22	31	128	82	64	M 16x1.5	PPV3.1016.602	12.07	PPV3.1016.603	7.09
				10S	22	22	31	128	82	64	M 18x1.5	PPV3.1018.602	12.07	PPV3.1018.603	7.09
				12S	22	22	31	128	82	64	M 20x1.5	PPV3.1020.602	12.07	PPV3.1020.603	7.09
13	3	08	250	10S	30	30	38	137	86	73	M 18x1.5	PPV3.1318.602	12.07	PPV3.1318.603	7.09
				12S	30	30	38	137	86	73	M 20x1.5	PPV3.1320.602	12.07	PPV3.1320.603	7.09
				14S	30	30	38	141	88	75	M 22x1.5	PPV3.1322.602	12.07	PPV3.1322.603	7.09
				16S	30	30	38	141	88	75	M 24x1.5	PPV3.1324.602	12.07	PPV3.1324.603	7.09
				20S	30	30	38	141	88	75	M 30x2	PPV3.1330.602	12.07	PPV3.1330.603	7.09
20	4	12	225	10S	36	36	46	158	106	79	M 18x1.5	PPV3.2018.602	33.05	PPV3.2018.603	14.86
				12S	36	36	46	158	106	79	M 20x1.5	PPV3.2020.602	33.05	PPV3.2020.603	14.86
				14S	36	36	46	162	108	81	M 22x1.5	PPV3.2022.602	33.05	PPV3.2022.603	14.86
				16S	36	36	46	162	108	81	M 24x1.5	PPV3.2024.602	33.05	PPV3.2024.603	14.86
				20S	36	36	46	162	108	81	M 30x2	PPV3.2030.602	33.05	PPV3.2030.603	14.86
25	5	16	225	20S	41	41	54	176	116	93	M 30x2	PPV3.2530.602	43.09	PPV3.2530.603	16.28
				25S	41	41	54	180	118	95	M 36x2	PPV3.2536.602	43.09	PPV3.2536.603	16.28
				30S	46	46	54	184	120	97	M 42x2	PPV3.2542.602	43.09	PPV3.2542.603	16.28