

Quick Release Couplings - Technical Data

ISO A Norm

ISO 7241-1A

PAV1 Standard Range (160/350 Bar) ISO Base 6.3 - 50

PAO1 Valveless Range (200/350 Bar) ISO Base ISO 5 - 25

PPV Push - Pull Range (225/300 Bar) ISO Base ISO 6.3 - 25

SCBC Economy Range (130/350 Bar) ISO Base 6.3 - 50

SCBX Stainless Steel Range (130/350 Bar) ISO Base 6.3 - 50

The PKK range of probes has been designed to offer connection to PPV couplings under residual pressure.

A full range of connections are available in BSP, Metric and NPT thread forms with tube connections from 6 to 35mm tube diameters to DIN 2353. Options include light and heavy thread forms in both short and long (Bulkhead) connections.

Applications

ISO couplings are the most common couplings on the market and used in all industrial applications. The PPV push - pull range are used extensively in agriculture.

Features

Simple and quick connection

Full interchange ability

Available with poppet valve or ball closing system

Compact and lightweight design

Valveless couplings available in zinc or chrome plated

General Technical Information

Body and Probe - All steel construction, stressed components nitrided or induction hardened

Finish - Zinc Plated in accordance with EEC directive 2000/53/CE (Chrome 6 free)

Seals - NBR standard. EPDM, Viton and Neoprene on request. (SCBX Viton as standard)

Backing Ring - Telfon

Springs - C98 steel or stainless steel

Contact the sales office for special enquires and further technical information

Quick Release Couplings - Technical Data

ISO A Norm

Quick Release Couplings - PAV1 Standard Range - Page 016

Body Size	ISO Base	Ø (mm)	Max. Working Pressure (bar)	Rated Flow (l/m)	Min. Burst Pressure			Fluid Spillage (cc)
					Male (bar)	Female (bar)	Coupled (bar)	
1/4"	6.3	5	350	12	1510	1760	1450	0.5
3/8"	10	9	350	23	1470	1520	1590	1.9
1/2"	12.5	10.6	250	45	1000	1460	1240	2.7
3/4"	20	15.7	250	106	900	1530	1040	9.3
1"	25	17.3	200	189	1300	960	1300	16
1 1/4"	31.5	22.8	200	288	1140	850	1090	30
1 1/2"	40	30	190	379	810	790	820	54
2"	50	37.6	160	757	650	960	1100	120

Quick Release Couplings - PA01 PAOC Valveless Range (Free Flow) - Page 017

Body Size	ISO Base	Ø (mm)	Max. Working Pressure (bar)	Rated Flow (l/m)	Min. Burst Pressure	
					Male (bar)	Coupled (bar)
1/4"	6.3	5.5	350	12	1450	
3/8"	10	9.5	350	23	1590	
1/2"	12.5	11.5	250	45	1240	
3/4"	20	16.5	250	106	1040	
1"	25	19	200	189	880	

Probes for Connection Under Pressure - PKK1, PKK4 - Page 019

Body Size	ISO Base	Ø (mm)	Max. Working Pressure (bar)	Rated Flow (l/m)	Min. Burst Pressure			Fluid Spillage (cc)
					Male (bar)	Female (bar)	Coupled (bar)	
1/2"	12.5	10.6	250	45	1000	1460	1240	2.7

Push-Pull Quick Release Couplings - PPV Range - Page 020 - 023

Body Size	ISO Base	Ø (mm)	Max. Working Pressure (bar)	Rated Flow (l/m)	Min. Burst Pressure			Fluid Spillage (cc)
					Male (bar)	Female (bar)	Coupled (bar)	
1/4"	6.3	5.5	250	12	1000	1000	1000	0.8
3/8"	10	9	300	23	1340	1500	1380	1.9
1/2"	12.5	10.6	225	45	930	1670	1110	2.7
3/4"	20	15.7	225	106	1240	1460	1190	9.3
1"	25	17.3	225	189	900	1170	970	16

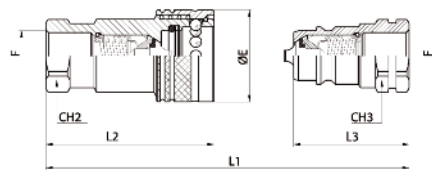
Contact the sales office for flow and pressure drop characteristics

For technical advice contact the Prolasa sales office.



Quick Release Couplings - PAV1 Standard Range

ISO A Norm



Body Size	ISO Base	Dimensions			Dimensions			Thread Size	Carrier Half Part Number	Probe Half Part Number
		CH2	CH3	øE	L1	L2	L3			
1/4"	6.3	19	19	26	70	49	35	1/4"	PAV1.0606.002	PAV1.0606.003
1/4"	6.3	19	19	26	70	49	35	1/4" NPT	PAV1.0606.012	PAV1.0606.013
3/8"	10	22	22	30	85	60.5	42.5	3/8"	PAV1.1010.002	PAV1.1010.003
3/8"	10	22	22	30	85	60.5	42.5	3/8" NPT	PAV1.1010.012	PAV1.1010.013
1/2"	12.5	27	27	38	96	70	48	1/2"	PAV1.1313.002	PAV1.1313.003
1/2"	12.5	27	27	38	96	70	48	1/2"	-	*PAV4.1313.003
1/2"	12.5	27	27	38	96	70	48	1/2" NPT	PAV1.1313.012	PAV1.1313.013
3/4"	20	34	34	45	114	84.5	57	3/4"	PAV1.2019.002	PAV1.2019.003
3/4"	20	34	34	45	114	84.5	57	3/4" NPT	PAV1.2019.012	PAV1.2019.013
1"	25	41	41	52	131	99	65.5	1"	PAV1.2525.002	PAV1.2525.003
1"	25	41	41	52	131	99	65.5	1" NPT	PAV1.2525.012	PAV1.2525.013
1 1/4"	31.5	50	50	70	150	117	75	1 1/4"	PAV1.3031.002	PAV1.3031.003
1 1/4"	31.5	50	50	70	150	117	75	1 1/4" NPT	PAV1.3031.012	PAV1.3031.013
1 1/2"	40	60	60	82	167	133	84	1 1/2"	PAV1.3939.002	PAV1.3939.003
1 1/2"	40	60	60	82	167	133	84	1 1/2" NPT	PAV1.3939.012	PAV1.3939.013
2"	50	75	75	99	216	169	108	2"	PAV1.5051.002	PAV1.5051.003
2"	50	75	75	99	216	169	108	2" NPT	PAV1.5051.012	PAV1.5051.013

*Ford shaped male

Technical Data

Threads

BSP
NPT

Material

See page 014

Operating and Burst Pressures

See table page 015

Operating Temperature

with NBR standard seals -25°C to +125°C

Special Requests

For assistance, contact our technical office.
Other seal available on request.



See page 013 for Dust Caps

Seal Kits

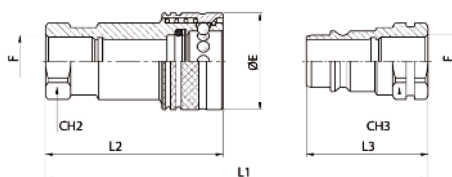


'O' Rings for ISO 'A' Couplings

	Size
A.ORK-14	1/4"
A.ORK-38	3/8"
A.ORK-12	1/2"
A.ORK-34	3/4"
A.ORK-100	1"
A.ORK-114	1 1/4"
A.ORK-112	1 1/2"
A.ORK-200	2"

Quick Release Couplings - PA01 PAOC Valveless Range (Free Flow)

ISO A Norm



Zinc Passivated

Body Size	ISO Base	CH2	CH3	øE	Dimensions			Thread Size	Carrier Half Part Number	Probe Half Part Number
					L1	L2	L3			
1/4"	6.3	19	19	26	70	49	35	1/4"	PA01.0606.002	PA01.0606.003
1/4"	6.3	19	19	26	70	49	35	1/4" NPT	PA01.0606.012	PA01.0606.013
3/8"	10	22	22	30	85	60.5	42.5	3/8"	PA01.1010.002	PA01.1010.003
3/8"	10	22	22	30	85	60.5	42.5	3/8" NPT	PA01.1010.012	PA01.1010.013
1/2"	12.5	27	27	38	96	70	48	1/2"	PA01.1313.002	PA01.1313.003
1/2"	12.5	27	27	38	96	70	48	1/2" NPT	PA01.1313.012	PA01.1313.013
1/2"	12.5	27	27	38	96	70	48	M 22x1.5	PA01.1322.102	PA01.1322.103
3/4"	20	34	34	45	114	84.5	57	3/4"	PA01.2019.002	PA01.2019.003
3/4"	20	34	34	45	114	84.5	57	3/4" NPT	PA01.2019.012	PA01.2019.013
1"	25	41	41	52	131	99	65.5	1"	PA01.2525.002	PA01.2525.003
1"	25	41	41	52	131	99	65.5	1" NPT	PA01.2525.012	PA01.2525.013

Chromium Plated

Body Size	ISO Base	CH2	CH3	øE	Dimensions			Thread Size	Carrier Half Part Number	Probe Half Part Number
					L1	L2	L3			
3/8"	10	22	22	30	85	60.5	42.5	3/8"	PAOC.1010.002	PAOC.1010.003
1/2"	12.5	27	27	38	96	70	48	1/2"	PAOC.1313.002	PAOC.1313.003
3/4"	20	34	34	45	114	84.5	57	3/4"	PAOC.2019.002	PAOC.2019.003

Technical Data

Threads

BSP
NPT
Metric

Material

PA01 series zinc plated and yellow bichromated. PAOC series chromium-plated. All high stressed components carbonitrided or hardened by induction

Seals: PA01 model standard in nitrile NBR. PAOC model standard in FPM (Viton™). On request EPDM and CR (Neoprene) seals
Back-up Ring: In pure Teflon

Operating and Burst Pressures

See table page 015

Operating Temperature

PA01 with NBR standard seals -25°C to +125°C
PAOC with Viton standard seals -25°C to +200°C

Special Requests

For assistance, contact our technical office.



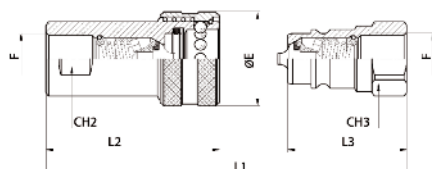
See page 013 for Dust Caps

HYDRAULIC COUPLINGS



Quick Release Couplings - SCB Economy Range

ISO A Norm



Carbon Steel

Body Size	ISO Base	CH2	CH3	ØE	Dimensions				Thread Size	Carrier Half Part Number	Probe Half Part Number
					L1	L2	L3	BAR			
1/4"	6.3	19	19	26	72	51	36	350	1/4"	SCB-CG14F	SCB-C-G14M
3/8"	10	24	22	32	81	58.5	40.5	300	3/8"	SCB-C-G38F	SCB-C-G38M
1/2"	12.5	30	27	38	87.5	63.5	46	300	1/2"	SCB-C-G12F	SCB-C-G12M
1/2"	13	30	27	38	87.5	63.5	46	300	7/8" UNF	SCB-C-78UNFF	SCB-C-78UNFM
3/4"	20	38	36	46	112	83.5	56	250	3/4"	SCB-C-G34F	SCB-C-G34M
3/4"	20	38	36	46	112	83.5	56	250	11/16" UNF	SCB-C-G100F	SCB-C-G100M
1"	25	46	41	55	126	97	63	230	1"	SCB-C-G100F	SCB-C-G100M
1 1/4"	31.5	60	50	70	150	117	75	230	*1 1/4"	SCB-C-G114F	SCB-C-G114M
1 1/2"	40	70	60	84.5	167	133	83.5	200	*1 1/2"	SCB-C-G112F	SCB-C-G112M
2"	50	75	75	100	210	165	105	130	*2"	SCB-C-G200F	SCB-C-G200M

Stainless Steel

Body Size	ISO Base	CH2	CH3	ØE	Dimensions				Thread Size	Carrier Half Part Number	Probe Half Part Number
					L1	L2	L3	BAR			
1/4"	6.3	19	19	26	72	51	36	350	1/4"	PAVX.0606.002	PAVX.0606.003
3/8"	10	24	22	32	81	58.5	40.5	250	3/8"	PAVX.1010.002	PAVX.1010.003
1/2"	12.5	30	27	38	87.5	63.5	46	250	1/2"	PAVX.1313.002	PAVX.1313.003
3/4"	20	38	36	46	112	83.5	56	200	3/4"	PAVX.2019.002	PAVX.2019.003
1"	25	46	41	55	126	97	63	150	1"	PAVX.2525.002	PAVX.2525.003
1 1/4"	31.5	60	50	70	150	117	75	63	*1 1/4"	PAVX.3031.002	PAVX.3031.003
1 1/2"	40	70	60	84.5	167	133	83.5	50	*1 1/2"	PAVX.3939.002	PAVX.3939.003
2"	50	75	75	100	210	165	105	50	*2"	PAVX.5051.002	PAVX.5051.003

* Not ISO A Standard

Technical Data

Threads

BSP
UNF
NPT on request

Material

Carbon Steel - see page 014
Stainless Steel - AISI 316.
Springs - AISI 302
Seals - Standard in NBR
Backing Ring: In pure Teflon

Operating Temperature

SCB: NBR standard seals -25°C to +125°C
SCBX: Viton seals -25°C to +200°C

Special Requests

For assistance, contact our technical office.

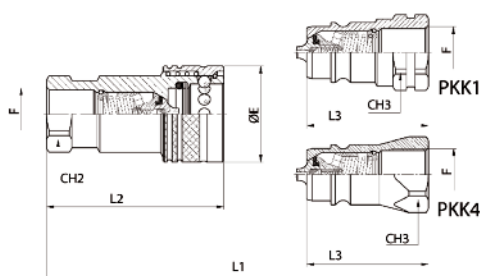


See page 013 for Dust Caps

Probes for Connection Under Pressure - PKK1, PKK4

Application: The main feature of these male couplings is that they can be connected to the female even if there is residual pressure in the circuit. This makes them suitable for agricultural applications, and in any hydraulic circuits affected by this type of problem. PAV1 PPV3 SCB compatible.

ISO A Norm



Body Size	ISO Base	CH2	CH3	øE	Dimensions			Thread Size	Probe 1/2 Part Number
					L1	L2	L3		
1/2"	12.5	27	27	38	96	70	48	1/2"	PKK1.1313.003
1/2"	12.5	27	27	38	96	70	48	1/2" NPT	PKK4.1313.013
1/2"	12.5	27	27	38	96	70	48	RC 1/2	PKK1.1313.043
1/2"	12.5	27	27	38	96	70	48	M 22x1.5	PKK1.1322.103
1/2"	12.5	27	27	38	96	70	48	3/4" UNF	PKK4.1319.033
1/2"	12.5	27	27	38	96	70	48	1/2"	PKK4.1313.003

Technical Data

Threads

BSP
NPT
UNF
Metric

Material

See page 014

Operating and Burst Pressures

See table page 015

Operating Temperature

with standard seals -25°C to +125°C

Special Requests

For assistance, contact our technical office.

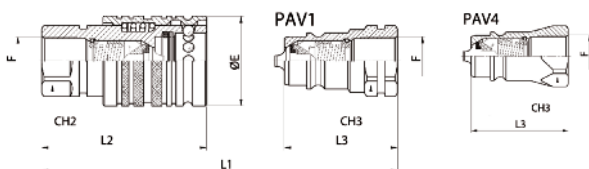


See page 013 for Dust Caps

Push-Pull Quick Release Couplings - PPV Standard Range

Application: Quick release couplings of the "Push-Pull" series are designed for use in all agricultural applications. The main characteristic of this coupling is to allow an automatic release in case of accidental pulls. This system avoids possible damage to the hydraulic circuit.

ISO A Norm



Body Size	ISO Base	Dimensions						Thread Size	Carrier Half Part Number	Probe Half Part Number
		CH2	CH3	øE	L1	L2	L3			
1/2"	12.5	27	27	38	96	70	48	1/2"	PPV1.1313.002	PAV1.1313.003
1/2"	12.5	27	27	38	96	70	48	1/2" NPT	PPV1.1313.012	PAV4.1313.013
1/2"	12.5	27	27	38	92.5	66.5	48	M 22x1.5	PPV1.1322.102	PAV1.1322.103
1/2"	12.5	27	27	38	96	70	48	3/4" UNF	PPV1.1319.032	PAV4.1319.033
1/2"	12.5	27	27	38	96	70	48	1/2"	-	PAV4.1313.003

Technical Data

Material

See page 014

Operating and Burst Pressures

See table page 015

Operating Temperature

NBR standard seals -25°C to +125°C

Additional Options

Available with ball seal if required

Special Requests

For assistance, contact our technical office.

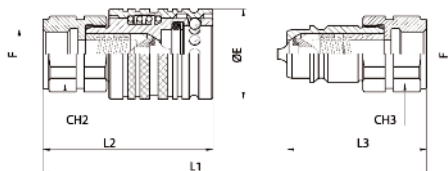
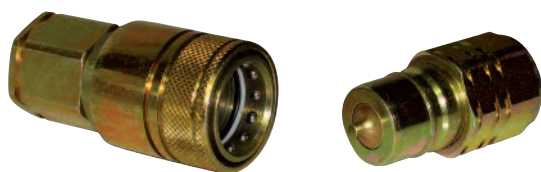


See page 013 for Dust Caps

Push-Pull Quick Release Couplings - PPV3 Premier Range

ISO A Norm

Threaded, G (BSP) - Metric - UNF



Technical Data

Material

Locking is provided by 12 balls UNI 100CR6
Seals: Standard in nitrile NBR. Other seals on request

Back-up Ring: In pure Teflon

Threads

Metric - G (BSP) - NPT according to DIN 3852 form Y.

Operating and Burst Pressures

See table page 015

Operating Temperature

NBR standard seals -25°C to +125°C

Special Requests

For assistance, contact our technical office.



See page 013 for Dust Caps

Body Size	ISO Base	CH2	CH3	Dimensions			Thread Size	Carrier Half Part number	Probe Half Part Number	
				øE	L1	L2	L3			
1/4"	6.3	19	19	26	94	64	44	1/4"	PPV3.0606.112	PPV3.0606.113
3/8"	10	22	22	31	98	67	49	1/4"	PPV3.1006.112	PPV3.1006.113
3/8"	10	22	22	31	98	67	49	1/4" NPT	PPV3.1006.012	PPV3.1006.013
3/8"	10	22	22	31	98	67	49	3/8"	PPV3.1010.112	PPV3.1010.113
3/8"	10	22	22	31	98	67	49	3/8" NPT	PPV3.1010.012	PPV3.1010.013
3/8"	10	22	22	31	98	67	49	M 16x1.5	PPV3.1016.102	PPV3.1016.103
3/8"	10	22	22	31	98	67	49	M 18x1.5	PPV3.1018.102	PPV3.1018.103
1/2"	12.5	30	30	38	109	72	59	3/8"	PPV3.1310.112	PPV3.1310.113
1/2"	12.5	30	30	38	115	75	62	3/8" NPT	PPV3.1310.012	PPV3.1310.013
									PPV3.1313.112	PPV3.1313.113
1/2"	12.5	30	30	38	115	75	62	1/2" NPT	PPV3.1313.012	PPV3.1313.013
1/2"	12.5	36	36	38	120	77.5	64.5	3/4"	PPV3.1319.112	PPV3.1319.113
1/2"	12.5	36	36	38	120	77.5	64.5	3/4" NPT	PPV3.1319.012	PPV3.1319.013
1/2"	12.5	30	30	38	109	72	59	M 14x1.5	PPV3.1314.102	PPV3.1314.103
1/2"	12.5	30	30	38	109	72	59	M 16x1.5	PPV3.1316.102	PPV3.1316.103
1/2"	12.5	30	30	38	109	72	59	M 18x1.5	PPV3.1318.102	PPV3.1318.103
1/2"	12.5	30	30	38	109	72	59	M 22x1.5	PPV3.1322.102	PPV3.1322.103
3/4"	20	36	36	46	132	93.3	66	1/2"	PPV3.2013.112	PPV3.2013.113
3/4"	20	36	36	46	132	93.3	66	1/2" NPT	PPV3.2013.012	PPV3.2013.013
3/4"	20	36	36	46	135	94.8	67.5	3/4"	PPV3.2019.112	PPV3.2019.113
3/4"	20	36	36	46	135	94.8	67.5	3/4" NPT	PPV3.2019.012	PPV3.2019.013
3/4"	20	36	36	46	127	90.8	63.5	M 18x1.5	PPV3.2018.102	PPV3.2018.103
3/4"	20	36	36	46	127	90.8	63.5	M 22x1.5	PPV3.2022.102	PPV3.2022.103
3/4"	20	36	36	46	135	94.8	67.5	M 26x1.5	PPV3.2026.102	PPV3.2026.103
1"	25	41	41	54	142	99.5	67.5	3/4"	PPV3.2519.112	PPV3.2519.113
1"	25	41	41	54	142	99.5	76	3/4" NPT	PPV3.2519.012	PPV3.2519.013
1"	25	41	41	54	142	99.5	76	1"	PPV3.2525.112	PPV3.2525.113
1"	25	41	41	54	142	99.5	76	1" NPT	PPV3.2525.012	PPV3.2525.013
1"	25	41	41	54	142	99.5	76	M 30x1.5	PPV3.2530.102	PPV3.2530.103

For technical advice contact the Prolasa sales office.

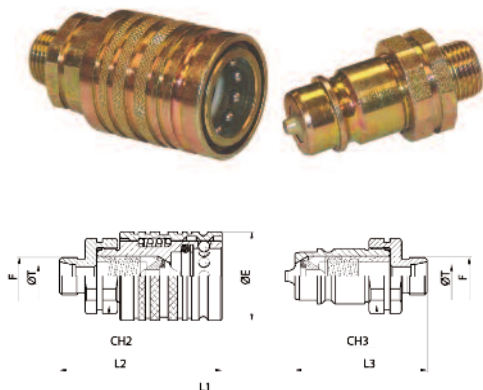
HYDRAULIC COUPLINGS



Push-Pull Quick Release Couplings - Premier Range - PPV3

DIN 2353 Light or Heavy Connections (Short)

ISO A Norm



Light Tube

Body Size	ISO Base	CH2	CH3	Dimensions				Thread	Carrier Half	Probe Half
				øE	L1	L2	L3	ø Tube	Part Number	Part Number
3/8"	10	22	22	31	94	65	47	06L M 12x1.5	PPV3.1012.302	PPV3.1012.303
3/8"	10	22	22	31	94	65	47	08L M 14x1.5	PPV3.1014.302	PPV3.1014.303
3/8"	10	22	22	31	96	66	48	10L M 16x1.5	PPV3.1016.302	PPV3.1016.303
3/8"	10	22	22	31	96	66	48	12L M 18x1.5	PPV3.1018.302	PPV3.1018.303
1/2"	12.5	30	30	38	103	69	56	08L M 14x1.5	PPV3.1314.302	PPV3.1314.303
1/2"	12.5	30	30	38	105	70	57	10L M 16x1.5	PPV3.1316.302	PPV3.1316.303
1/2"	12.5	30	30	38	105	70	57	12L M 18x1.5	PPV3.1318.302	PPV3.1318.303
1/2"	12.5	30	30	38	107	71	58	15L M 22x1.5	PPV3.1322.302	PPV3.1322.303
1/2"	12.5	30	30	38	107	71	58	18L M 26x1.5	PPV3.1326.302	PPV3.1326.303
3/4"	20	36	36	46	126	90.3	63	12L M 18x1.5	PPV3.2018.302	PPV3.2018.303
3/4"	20	36	36	46	128	91.3	64	15L M 22x1.5	PPV3.2022.302	PPV3.2022.303
3/4"	20	36	36	46	128	91.3	64	18L M 26x1.5	PPV3.2026.302	PPV3.2026.303
3/4"	20	36	36	46	132	93.3	66	22L M 30x2	PPV3.2030.302	PPV3.2030.303
1"	25	41	41	54	128	92.5	69	18L M 26x1.5	PPV3.2526.302	PPV3.2526.303
1"	25	41	41	54	132	94.5	71	22L M 30x2	PPV3.2530.302	PPV3.2530.303
1"	25	41	41	54	132	94.5	71	28L M 36x2	PPV3.2536.302	PPV3.2536.303
1"	25	46	46	54	136	96.5	73	35L M 45x2	PPV3.2545.302	PPV3.2545.403

Heavy Tube

Body Size	ISO Base	CH2	CH3	Dimensions				Thread	Carrier Half	Probe Half
				øE	L1	L2	L3	ø Tube	Part Number	Part Number
3/8"	10	22	22	31	98	67	49	08S M 16x1.5	PPV3.1016.402	PPV3.1016.403
3/8"	10	22	22	31	98	67	49	10S M 18x1.5	PPV3.1018.402	PPV3.1018.403
3/8"	10	22	22	31	98	67	49	12S M 20x1.5	PPV3.1020.402	PPV3.1020.403
1/2"	12.5	30	30	38	107	71	58	10S M 18x1.5	PPV3.1318.402	PPV3.1318.403
1/2"	12.5	30	30	38	107	71	58	12S M 20x1.5	PPV3.1320.402	PPV3.1320.403
1/2"	12.5	30	30	38	111	73	60	14S M 22x1.5	PPV3.1322.402	PPV3.1322.403
1/2"	12.5	30	30	38	111	73	60	16S M 24x1.5	PPV3.1324.402	PPV3.1324.403
1/2"	12.5	30	30	38	115	75	62	20S M 30x2	PPV3.1330.402	PPV3.1330.403
3/4"	20	36	36	46	128	91.3	64	10S M 18x1.5	PPV3.2018.402	PPV3.2018.403
3/4"	20	36	36	46	128	91.3	64	12S M 20x1.5	PPV3.2020.402	PPV3.2020.403
3/4"	20	36	36	46	132	93.3	66	14S M 22x1.5	PPV3.2022.402	PPV3.2022.403
3/4"	20	36	36	46	132	93.3	66	16S M 24x1.5	PPV3.2024.402	PPV3.2024.403
3/4"	20	36	36	46	136	95.3	68	20S M 30x2	PPV3.2030.402	PPV3.2030.403
1"	25	41	41	54	136	96.5	73	20S M 30x2	PPV3.2530.402	PPV3.2530.403
1"	25	41	41	54	140	98.5	75	25S M 36x2	PPV3.2536.402	PPV3.2536.403
1"	25	46	46	54	144	100.5	77	30S M 42x2	PPV3.2542.402	PPV3.2542.403

Technical Data

Material

Locking is provided by 12 balls UNI 100CR6
Seals: Standard in nitrile NBR. Other seals on request

Back-up Ring: In pure Teflon

Threads

Outside metric according to DIN 2353 L (light) or S (heavy).

Operating and Burst Pressures

See table page 015

Operating Temperature

standard seals -25°C to +125°C

Special Requests

For assistance, contact our technical office.

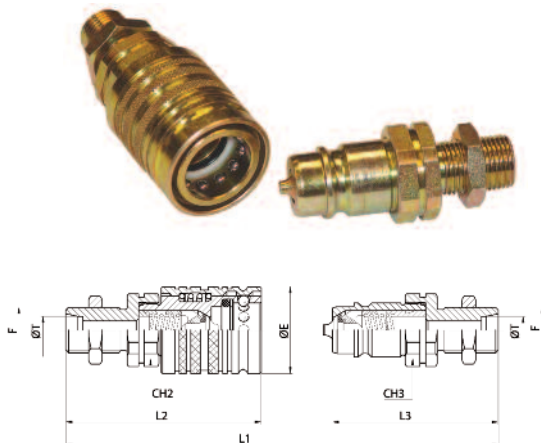


See page 013 for Dust Caps

Push-Pull Quick Release Couplings - Premier Range - PPV3

DIN 2353 Light or Heavy Connections (Bulkhead)

ISO A Norm



Light Tube

Body Size	ISO Base	CH2	CH3	Dimensions				Thread	Carrier Half	Probe Half	
				øE	L1	L2	L3	ø Tube	Size	Part Number	Part Number
3/8"	10	22	22	31	126	81	63	06L	M 12x1.5	PPV3.1012.502	PPV3.1012.503
3/8"	10	22	22	31	126	81	63	08L	M 14x1.5	PPV3.1014.502	PPV3.1014.503
3/8"	10	22	22	31	126	81	63	10L	M 16x1.5	PPV3.1016.502	PPV3.1016.503
3/8"	10	22	22	31	126	81	63	12L	M 18x1.5	PPV3.1018.502	PPV3.1018.503
1/2"	12.5	30	30	38	135	85	72	08L	M 14x1.5	PPV3.1314.502	PPV3.1314.503
1/2"	12.5	30	30	38	135	85	72	10L	M 16x1.5	PPV3.1316.502	PPV3.1316.503
1/2"	12.5	30	30	38	135	85	72	12L	M 18x1.5	PPV3.1318.502	PPV3.1318.503
1/2"	12.5	30	30	38	137	86	73	15L	M 22x1.5	PPV3.1322.502	PPV3.1322.503
1/2"	12.5	30	30	38	137	86	73	18L	M 26x1.5	PPV3.1326.502	PPV3.1326.503
3/4"	20	36	36	46	156	105.3	78	12L	M 18x1.5	PPV3.2018.502	PPV3.2018.503
3/4"	20	36	36	46	158	106.5	79	15L	M 22x1.5	PPV3.2022.502	PPV3.2022.503
3/4"	20	36	36	46	158	106.3	79	18L	M 26x1.5	PPV3.2026.502	PPV3.2026.503
3/4"	20	36	36	46	172	113.3	86	22L	M 30x2	PPV3.2030.502	PPV3.2030.503
1"	25	41	41	54	172	114.5	91	18L	M 26x1.5	PPV3.2526.502	PPV3.2526.503
1"	25	41	41	54	172	114.5	91	22L	M 30x2	PPV3.2530.502	PPV3.2530.503
1"	25	41	41	54	172	114.5	91	28L	M 36x2	PPV3.2536.502	PPV3.2536.503
1"	25	46	46	54	184	120.5	97	35L	M 45x2	PPV3.2545.502	PPV3.2545.603

Heavy Tube

Body Size	ISO Base	CH2	CH3	Dimensions				Thread	Carrier Half	Probe Half	
				øE	L1	L2	L3	ø Tube	Size	Part Number	Part Number
3/8"	10	22	22	31	128	82	64	08S	M 16x1.5	PPV3.1016.602	PPV3.1016.603
3/8"	10	22	22	31	128	82	64	10S	M 18x1.5	PPV3.1018.602	PPV3.1018.603
3/8"	10	22	22	31	128	82	64	12S	M 20x1.5	PPV3.1020.602	PPV3.1020.603
1/2"	12.5	30	30	38	137	86	73	10S	M 18x1.5	PPV3.1318.602	PPV3.1318.603
1/2"	12.5	30	30	38	137	86	73	12S	M 20x1.5	PPV3.1320.602	PPV3.1320.603
1/2"	12.5	30	30	38	141	88	75	14S	M 22x1.5	PPV3.1322.602	PPV3.1322.603
1/2"	12.5	30	30	38	141	88	75	16S	M 24x1.5	PPV3.1324.602	PPV3.1324.603
1/2"	12.5	30	30	38	141	88	75	20S	M 30x2	PPV3.1330.602	PPV3.1330.603
3/4"	20	36	36	46	158	106.3	79	10S	M 18x1.5	PPV3.2018.602	PPV3.2018.603
3/4"	20	36	36	46	158	106.3	79	12S	M 20x1.5	PPV3.2020.602	PPV3.2020.603
3/4"	20	36	36	46	162	108.3	81	14S	M 22x1.5	PPV3.2022.602	PPV3.2022.603
3/4"	20	36	36	46	162	108.3	81	16S	M 24x1.5	PPV3.2024.602	PPV3.2024.603
3/4"	20	36	36	46	162	108.3	81	20S	M 30x2	PPV3.2030.602	PPV3.2030.603
1"	25	41	41	54	176	116.5	93	20S	M 30x2	PPV3.2530.602	PPV3.2530.603
1"	25	41	41	54	180	118.5	95	25S	M 36x2	PPV3.2536.602	PPV3.2536.603
1"	25	46	46	54	184	120.5	97	30S	M 42x2	PPV3.2542.602	PPV3.2542.603

Technical Data

Material

Locking is provided by 12 balls UNI 100CR6
Seals: Standard in nitrile NBR. Other seals on request

Back-up Ring: In pure Teflon

Threads

Outside metric according to DIN 2353 L (light) or S (heavy). Bulkhead

Operating and Burst Pressures

See table page 015

Operating Temperature

NBR standard seals -25°C to +125°C

Special Requests

For assistance, contact our technical office.



See page 013 for Dust Caps



Quick Release Couplings - Technical Data

ISO 7241-1B

PBV1 Carbon Steel Range (500/50 Bar) ISO Base 05 - 50

PBVM Brass Range (300/50 Bar) ISO Base 05 - 50

PBVX Stainless Steel Range (400/50 Bar) ISO Base 05 - 50

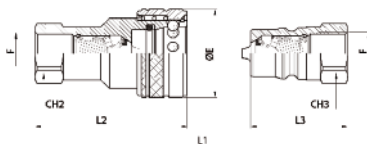
These couplings are stocked in 1/8" - 2" BSP (NPT and UNF threads available on request).

ISO B Norm

Applications

The robust nature of these couplings make them suitable for the iron, steel, oil and automobile industry. They offer excellent flow characteristics.

Quick Release Couplings - PBV1 Steel



ISO B Norm

Technical Data

Threads

BSP
NPT available on request

Material

Zinc plated and yellow passivated steel with high stressed components nitrided or hardened by induction. Locking balls UNI 100CR6 in large quantity, ensuring optimum distribution of the loads
Seals: Standard in nitrile NBR. On request EPDM, FPM (Viton™) and CR (Neoprene) seals

Backing Ring: In pure Teflon

Operating Temperature

with standard seals -25°C to +125°C

Special Requests

For assistance, contact our technical office.



See page 013 for Dust Caps

Body Size	ISO Base	Dimensions							Thread Size	Carrier Half Part Number	Probe Half Part number
		CH2	CH3	øE	L1	L2	L3	BAR			
1/8"	5	17	14	23	62	50	31	500	1/8"	PBV1.0404.002	PBV1.0404.003
1/4"	6.3	19	19	28	76	60	38	250	1/4"	PBV1.0606.002	PBV1.0606.003
3/8"	10	22	22	35	86	67.5	43	250	3/8"	PBV1.1010.002	PBV1.1010.003
1/2"	12.5	27	27	44	97	76	48.5	250	1/2"	PBV1.1313.002	PBV1.1313.003
3/4"	20	34	34	52	114	91.5	57	250	3/4"	PBV1.2019.002	PBV1.2019.003
1"	25	41	41	60	131	106	65.5	200	1"	PBV1.2525.002	PBV1.2525.003
1 1/2"	40	65	65	75	198	126	126	63	1 1/4"	PBV1.3931.002	PBV1.3931.003
1 1/2"	40	65	65	75	198	126	126	63	1 1/2"	PBV1.3939.002	PBV1.3939.003
2"	50	90	90	105	222	142	142	50	2"	PBV1.5051.002	PBV1.5051.003

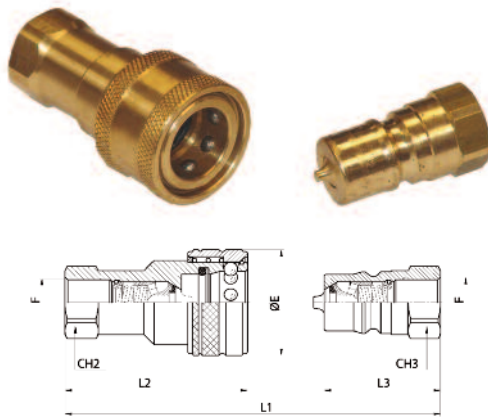
Seal Kits



'O' Rings for ISO 'A' Couplings

	Size
B.ORK-14	1/4"
B.ORK-38	3/8"
B.ORK-12	1/2"
B.ORK-34	3/4"
B.ORK-100	1"
B.ORK-114	1 1/4"
B.ORK-112	1 1/2"
B.ORK-200	2"

Quick Release Couplings - PBVM Brass



ISO B Norm

Technical Data

Threads

BSP
NPT available on request

Material

Main parts in brass. Springs in AISI 302 and balls in AISI 316
Seals: Standards are in FPM (Viton™). Other seals provided on request
Back-up Ring: In pure Teflon

Operating Temperature

NBR standard seals -25°C to +200°C

Special Requests

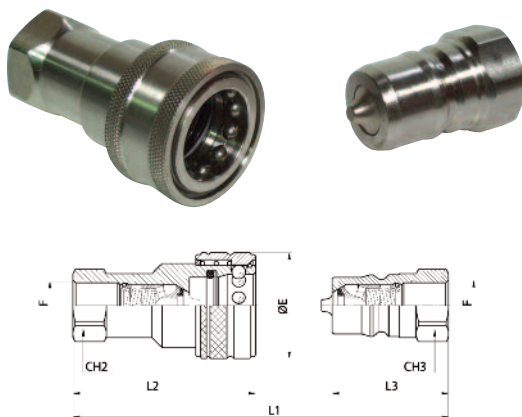
For assistance, contact our technical office.



See page 013 for Dust Caps

Body Size	ISO Base	CH2	CH3	Dimensions				Thread Size	Carrier Half Part Number	Probe Half Part Number	
				øE	L1	L2	L3	BAR			
1/8"	5	17	14	23	62	50	31	300	1/8"	PBVM.0404.002	PBVM.0404.003
1/4"	6.3	19	19	28	76	60	38	200	1/4"	PBVM.0606.002	PBVM.0606.003
3/8"	10	22	22	35	86	67.5	43	200	3/8"	PBVM.1010.002	PBVM.1010.003
1/2"	12.5	27	27	44	97	76	48.5	175	1/2"	PBVM.1313.002	PBVM.1313.003
3/4"	20	34	34	52	114	91.5	57	130	3/4"	PBVM.2019.002	PBVM.2019.003
1"	25	41	41	60	131	106	65.5	130	1"	PBVM.2525.002	PBVM.2525.003
1 1/2"	40	65	65	75	198	126	126	63	1 1/4"	PBVM.3931.002	PBVM.3931.003
1 1/2"	40	65	65	75	198	126	126	63	1 1/2"	PBVM.3939.002	PBVM.3939.003
2"	50	90	90	105	222	142	142	50	2"	PBVM.5051.002	PBVM.5051.003

Quick Release Couplings - PBVX Stainless Steel



ISO B Norm

Technical Data

Threads

BSP
NPT available on request

Material

All components in stainless steel AISI 316.
Springs in AISI 302.
Seals: Standard in FPM (Viton™). Other seals provided on request
Back-up Ring: Teflon

Operating Temperature

Viton standard seals -25°C to +200°C

Special Requests

For assistance, contact our technical office.

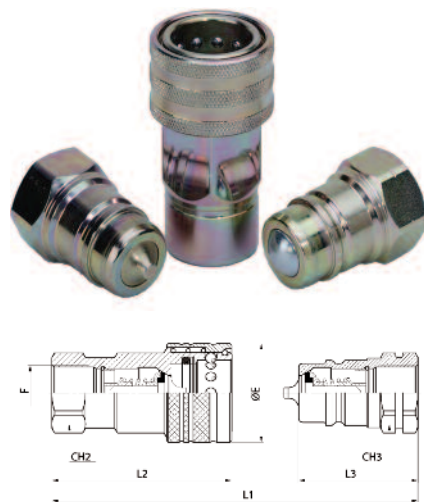


See page 013 for Dust Caps

Body Size	ISO Base	CH2	CH3	Dimensions				Thread Size	Carrier Half Part Number	Probe Half Part Number	
				øE	L1	L2	L3	BAR			
1/8"	5	14	14	24	62	50	31	400	1/8"	PBVX.0404.002	PBVX.0404.003
1/4"	6.3	19	19	28	76	60	38	350	1/4"	PBVX.0606.002	PBVX.0606.003
3/8"	10	24	22	35	78	64	39	250	3/8"	PBVX.1010.002	PBVX.1010.003
1/2"	12.5	27	27	42	91	73	45.5	250	1/2"	PBVX.1313.002	PBVX.1313.003
3/4"	20	36	34	52	107	87	53.5	200	3/4"	PBVX.2019.002	PBVX.2019.003
1"	25	41	41	60	125	102	63	150	1"	PBVX.2525.002	PBVX.2525.003
1 1/2"	40	65	65	75	198	126	126	63	1 1/4"	PBVX.3931.002	PBVX.3931.003
1 1/2"	40	65	65	75	198	126	126	63	1 1/2"	PBVX.3939.002	PBVX.3939.003
2"	50	90	90	105	222	142	142	50	2"	PBVX.5051.002	PBVX.5051.003

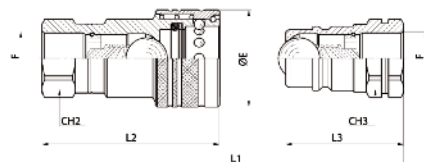
Quick Release Couplings - PDV1 and PDS1

Application: A range of couplings to the DIN standard. Available with either a poppet or ball type closure



Part Number: **PDV1**
Carbon Steel - Shutoff Valve

Body Size	ISO Size	CH2	CH3	Dimensions			Bar	Thread Size	Carrier Half Part Number	Probe Half Part Number	
				øE	L1	L2	L3				
1/4"	6.3	19	19	27	76	55.5	38	400	1/4"	PDV1.0606.002	PDV1.0606.003
1/4"	6.3	19	19	27	76	55.5	38	400	1/4" NPT	PDV1.0606.012	PDV1.0606.013
3/8"	10	24	24	34	85	63	42.5	350	3/8"	PDV1.1010.002	PDV1.1010.003
3/8"	10	24	24	34	85	63	42.5	350	3/8" NPT	PDV1.1010.012	PDV1.1010.013
1/2"	12.5	27	27	38	96	70	48	250	1/2"	PDV1.1313.002	PDV1.1313.003
1/2"	12.5	27	27	38	96	70	48	250	1/2" NPT	PDV1.1313.012	PDV1.1313.013
3/4"	20	34	34	47	114	86	57	250	3/4"	PDV1.2019.002	PDV1.2019.003
3/4"	20	34	34	47	114	86	57	250	3/4" NPT	PDV1.2019.012	PDV1.2019.013
1"	25	41	41	52	131	99	65.5	250	1"	PDV1.2525.002	PDV1.2525.003
1"	25	41	41	52	131	99	65.5	250	1" NPT	PDV1.2525.012	PDV1.2525.013
1 1/4"	20	50	50	70	150	117	75	225	1 1/4"	PDV1.3031.002	PDV1.3031.003
1 1/4"	20	50	50	70	150	117	75	225	1 1/4" NPT	PDV1.3031.012	PDV1.3031.013
1 1/2"	20	60	60	84	167	128	83.5	200	1 1/2"	PDV1.3939.002	PDV1.3939.003
1 1/2"	20	60	60	84	167	128	83.5	200	1 1/2" NPT	PDV1.3939.012	PDV1.3939.013
2"	50	70	70	115	177	139	89	100	2"	PDV1.5051.012	PDV1.5051.003
2"	50	70	70	115	177	139	89	100	2" NPT	PDV1.5051.012	PDV1.5051.013



Part Number: **PDS1**
Carbon Steel - Shutoff Ball

Body Size	ISO Base	CH2	CH3	Dimensions			Bar	Thread Size	Carrier Half Part Number	Probe Half Part Number	
				øE	L1	L2	L3				
1/4"	6.3	19	19	27	76	55.5	38	400	1/4"	PDS1.0606.002	PDS1.0606.003
1/4"	6.3	19	19	27	76	55.5	38	400	1/4" NPT	PDS1.0606.012	PDS1.0606.013
3/8"	10	24	24	34	85	63	42.5	350	3/8"	PDS1.1010.002	PDS1.1010.003
3/8"	10	24	24	34	85	63	42.5	350	3/8" NPT	PDS1.1010.012	PDS1.1010.013
1/2"	12.5	27	27	38	96	70	48	250	1/2"	PDS1.1313.002	PDS1.1313.003
1/2"	12.5	27	27	38	96	70	48	250	1/2" NPT	PDS1.1313.012	PDS1.1313.013
1/2"	12.5	27	27	38	96	70	48	250	3/4" UNF	PDS1.1319.032	PDS1.1319.033
3/4"	20	34	34	47	114	86	57	250	3/4"	PDS1.2019.002	PDS1.2019.003
3/4"	20	34	34	47	114	86	57	250	3/4" NPT	PDS1.2019.012	PDS1.2019.013
1"	25	41	41	52	132	99	65.5	250	1"	PDS1.2525.002	PDS1.2525.003
1"	25	41	41	52	132	99	65.5	250	1" NPT	PDS1.2525.012	PDS1.2525.013

DIN Standard

Technical Data

Threads

BSP
NPT
Other threads available on request

Material

Zinc plated and yellow bichromated steel with all high stressed components carbonitrided or hardened by induction.

Seals: Standard in nitrile NBR. On request EPDM, FPM (Viton™) and CR (Neoprene) seals

Back-up Ring: In pure Teflon

Operating Temperature

NBR standard seals -25°C to +125°C

Special Requests

For assistance, contact our technical office.

Quick Release Couplings - PDVO Valveless

Application: The PDVO series for applications requiring high flow. Shut off and check valve are unnecessary. This makes them the ideal coupling for high pressure water cleaning equipment.

DIN Standard



Dash Size	NB Threads	BAR	Carrier Half	Probe Half
04	1/4	350	PDV-O-G14F	PDV-O-G14M
06	3/8	300	PDV-O-G38F	PDV-O-G38M
08	1/2	250	PDV-O-G12F	PDV-O-G12M

Technical Data

Characteristics

DIN short body valveless coupling

Material

Carbon steel, zinc plated
Seals: NBR

Operating Temperature

-25°C to +125°C

Special Requests

For assistance, contact our technical office.

Quick Release Couplings - TFH TEMA Interchange

Application: The TFH series offer high flow and low pressure drop. These couplings also feature a safety ring, making it possible to lock the sleeve preventing accidental disconnection



TFH Series - Valved version

Dash Size	NB Threads	BAR	Carrier Half	Probe Half
04	1/4	350	TFH-C-G14F	TFH-C-G14M
06	3/8	300	TFH-C-G38F	TFH-C-G38M
08	1/2	280	TFH-C-G12F	TFH-C-G12M
12	3/4	250	TFH-C-G34F	TFH-C-G34M
16	1	230	TFH-C-G100F	TFH-C-G100M

Technical Data

Characteristics

TFH series is interchangeable with TEMA couplings. Designed for hydraulic applications, requiring rapid actuator movement.
TFH - O - G38 available valveless - free flow, nickel plated with VITON seals for pressure washer use

Material

Carbon steel, zinc plated
Seals: NBR

Operating Temperature

TFH-C: -25°C to +125°C
TFH-O: -25°C to +200°C

Special Requests

For assistance, contact our technical office.



TFH-O Series - Valveless
Valveless version for pressure washers

Dash Size	NB Threads	BAR	Carrier Half	Probe Half
06	3/8	300	TFH-O-G38F	TFH-O-G38M