

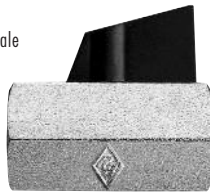
Mini Ball Valves

Connections: 1/8, 1/4, 3/8, 1/2

Our range of Mini Ball Valves offers a wide variety of choices for the design engineer.

- Wide range
- Compact design
- Choice of finishes
- Manual or screwdriver operation

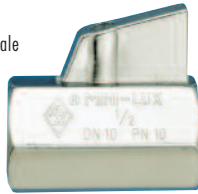
Part Number: **3830**
Lever - Female/Female



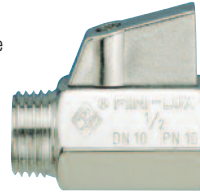
Part Number: **3831**
Lever - Male/Female



Part Number: **3730**
Lever - Female/Female



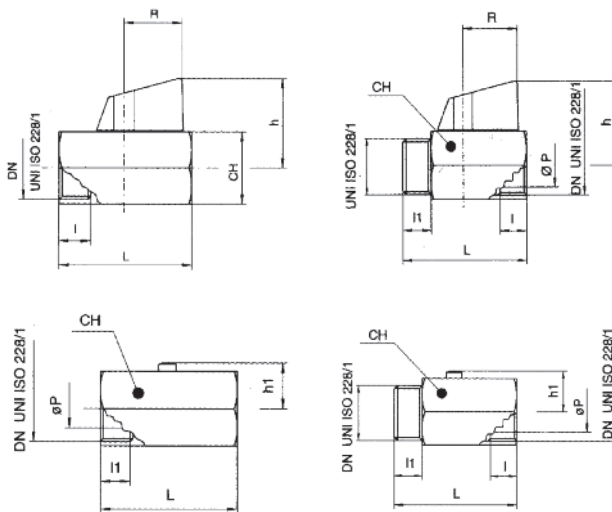
Part Number: **3731**
Lever - Male/Female



Part Number: **3860**
Screwdriver - Female/Female



Part Number: **3861**
Screwdriver - Male/Female



Dimensions (mm)

| | øP | C/H | I | L | h | h1 | R | Kv |
|-----|----|-----|----|----|----|------|------|-----|
| 1/8 | 8 | 21 | 8 | 41 | 29 | 13.8 | 20.5 | 4.3 |
| 1/4 | 8 | 21 | 10 | 41 | 29 | 13.8 | 20.5 | 4.3 |
| 3/8 | 8 | 21 | 10 | 41 | 29 | 13.8 | 20.5 | 2.7 |
| 1/2 | 10 | 25 | 11 | 46 | 31 | 15.8 | 20.5 | 5.4 |

Technical Data

Media

Most non-corrosive liquids and gases including air, water and fuels

Operating Pressure

10 bar (147 p.s.i.)

Operating Temperature

-20°C to +90°C (Higher temperature valves available -20 to +150°C)

Flow Rate

Flow rates stated in Kv: Flow coefficient in m³/h at differential pressure of 100kPa

Threads

DN UNI ISO 228/1 - G

Materials

Body: Brass, chrome plated, types 3730 and 3731 polished chrome plated

Handle: Plastic, types 3830 and 3831 black, types 3730 and 3731 plastic chromed

Ball: Brass, chrome plated

Main Seal: PTFE

Stem Seal: NBR.

Actuation Details

90° rotation of lever

We recommend that the valve is used in either the fully open or fully closed position.

In addition, the valve should be actuated at least twice a year

Additional Options

NPT screwed end connections (M/F and F/F)

Viton stem seal for higher temperatures

Special Requests

For assistance, contact our technical office.